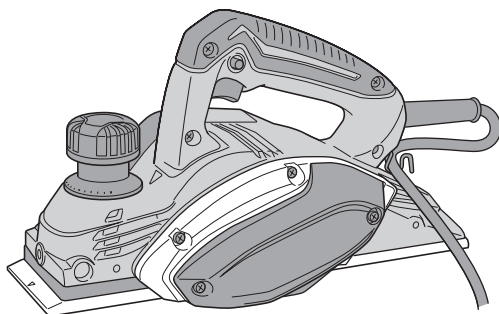


HIKOKI

Planer
Hobel
Rabot
Pialla
Schaafmachine
Cepillo
Plaina

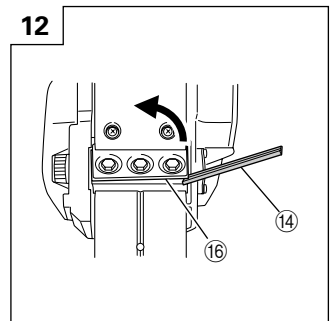
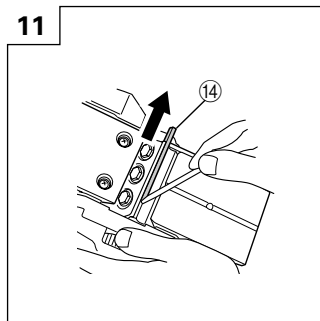
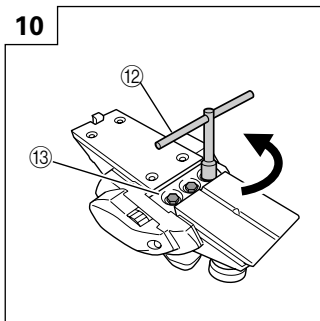
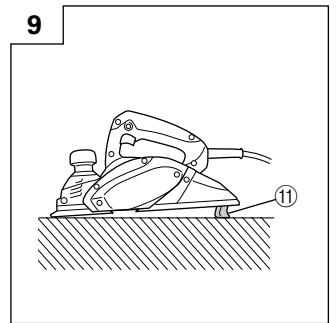
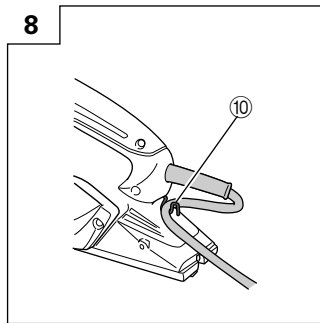
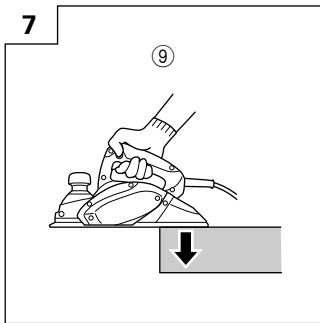
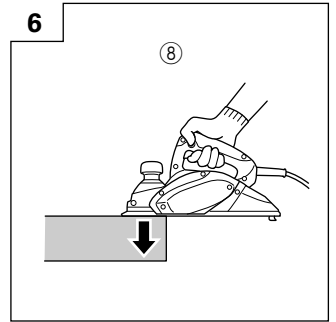
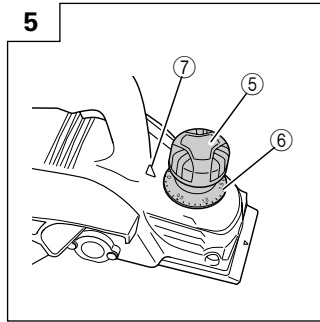
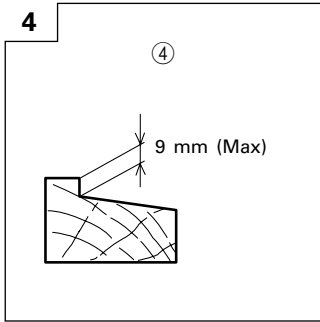
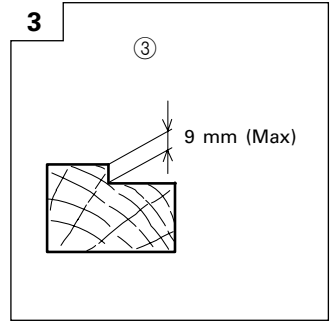
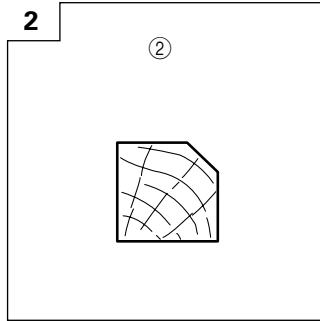
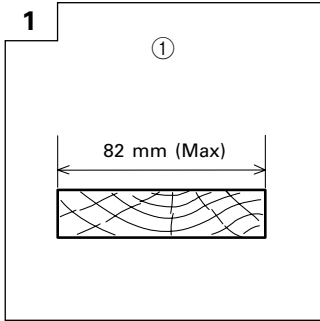
P 20SF

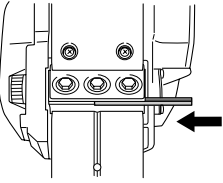
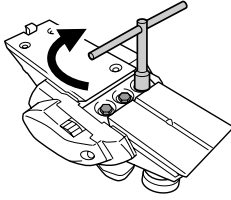
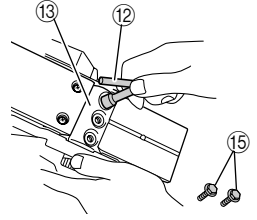
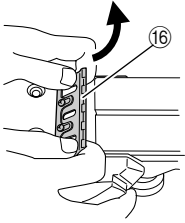
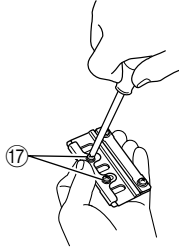
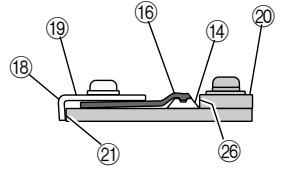
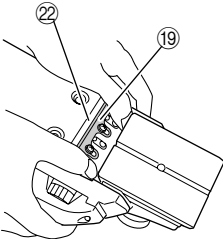
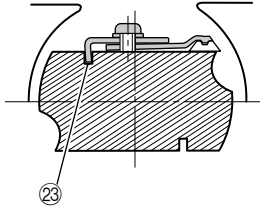
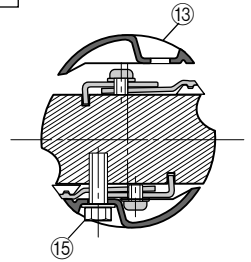
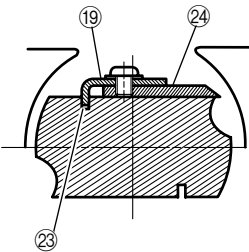
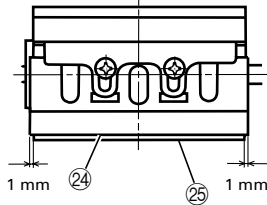
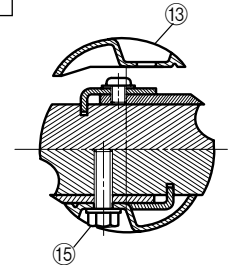


Read through carefully and understand these instructions before use.
Diese Anleitung vor Benutzung des Werkzeugs sorgfältig durchlesen und verstehen.
Lire soigneusement et bien assimiler ces instructions avant usage.
Prima dell'uso leggere attentamente e comprendere queste istruzioni.
Deze gebruiksaanwijzing s.v.p. voor gebruik zorgvuldig doorlezen.
Leer cuidadosamente y comprender estas instrucciones antes del uso.
Antes de usar, leia com cuidado para assimilar estas instruções.

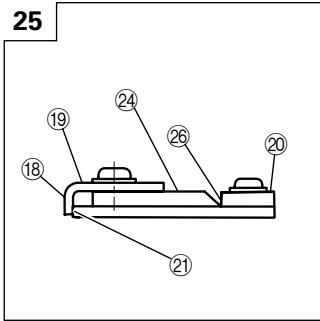


Handling instructions
Bedienungsanleitung
Mode d'emploi
Istruzioni per l'uso
Gebruiksaanwijzing
Instrucciones de manejo
Instruções de uso

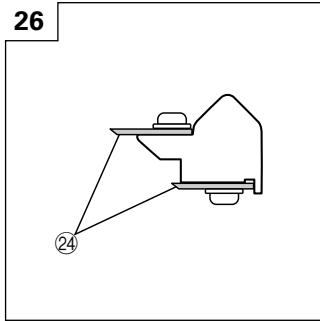


13**14****15****16****17****18****19****20****21****22****23****24**

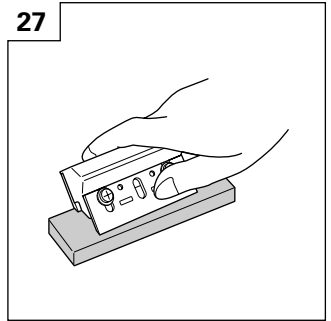
25



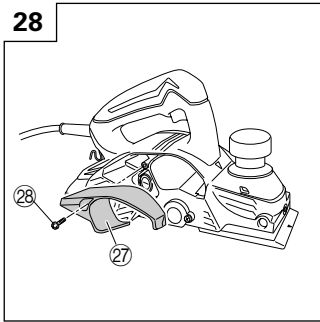
26



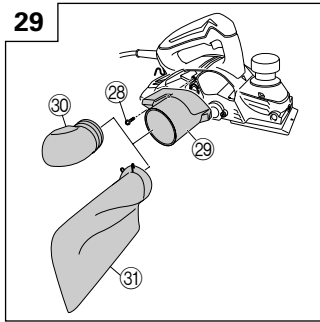
27



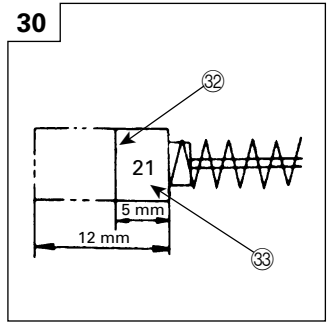
28



29















30



	English	Deutsch	Français	Italiano
①	Planing	Hobeln	Rabotage	Piallatura
②	Beveling	Abkanten	Biseautage	Smussatura
③	Rabbirting	Falzen	Formation de feuillure	Scanalatura
④	Tapering	Abschrägen	Formation de biais	Rastrematura
⑤	Knob	Knopf	Bouton	Manopola
⑥	Scale	Skala	Échelle	Scala graduata
⑦	Mark	Markierung	Marque	Segno
⑧	Beginning of cutting operation	Beginn des Hobelns	Début de l'opération de coupe	Inizio dell'operazione di piallatura
⑨	End of cutting operation	Ende des Hobelns	Fin de l'opération de coupe	Termine dell'operazione di piallatura
⑩	Cord holder	Kabelhalter	Fixation du cordon	Porta-cavo
⑪	Stand	Ständer	Support	Supporto
⑫	Box wrench	Steckschlüssel	Clef à béquille	Chiave fissa a collare
⑬	Blade holder	Hobeleisenhalter	Support de lame	Porta-lama
⑭	Carbide blade (Double edged blade type)	Hobeleisen mit Hartmetallschneide (Beidseitigen klingentyp)	Lame au carbure (Lames à deux tranchants)	Lama in carburo (tipo lama a doppio filo)
⑮	Bolt	Schraube	Boulon	Bulloni
⑯	Set plate (B)	Einstellplatte (B)	Plaque de fixation (B)	Piastra di impostazione (B)
⑰	Machine screw	Maschinenschraube	Vis machine	Vite
⑱	Turned surface	Gebogene Oberfläche	Surface tournée	Superficie curva
⑲	Set plate (A)	Einstellplatte (A)	Plaque de fixation (A)	Piastra di impostazione (A)
⑳	Set gauge	Einstell-Lehre	Jauge de fixation	Calibro di impostazione
㉑	Wall surface b	Wandoberfläche b	Surface du mur b	Superficie parete b
㉒	Flat portion of the cutter block	Flacher Teil des Schneidblocks	Section plate du bloc de lame	Parte piatta del blocco taglierina
㉓	Groove	Nut	Encoche	Scanalatura
㉔	Blade (Resharpenable blade type)	Hobeleisen (schärfbarer Klingentyp)	Lame (lame de type réaffûtable)	Lama (tipo lama riaffilabile)
㉕	Cutter block	Schneidblock	Bloc de coupe	Blocco della pialla
㉖	Wall surface a	Wandoberfläche a	Surface du mur a	Superficie parete a
㉗	Chip cover	Spanabdeckung	Écran anti-copeaux	Coperchio trucioli
㉘	Screw D4 × 16	Schraube D4 × 16	Vis D4 × 16	Vite D4 × 16
㉙	Dust adapter	Staubadapter	Adaptateur anti-poussière	Adattatore polvere
㉚	Elbow	Knie	Coude	Gomito
㉛	Dust bag	Staubbeutel	Sac à poussière	Sacchetto raccogli-polvere
㉜	Wear limit	Verschleißgrenze	Limite d'usure	Limite di usura
㉝	No. of carbon brush	Nr. der Kohlebürste	N° du balai en carbone	N. della spazzola di carbone

	Nederlands	Español	Português
①	Schaven	Cepillar	Aplainamento
②	Afbramen	Biselar	Chanfragem
③	Groeven	Ensamblar	Ranhuragem
④	Afschuinen	Renatar	Estreitamento
⑤	Knop	Botón	Manípulo
⑥	Schaal	Escala	Escala
⑦	Merkteken	Marca	Marca
⑧	Begin van het schaven	Principio de la operación de corte	Início da operação de corte
⑨	Einde van het schaven	Fin de la operación de corte	Fim da operação de corte
⑩	Snoerhouder	Soporte para cable	Suporte do cabo
⑪	Standaard	Base	Suporte
⑫	Steeksleutel	Llave anular	Chave de bocas
⑬	Schaafijzerhouder	Sujetador de cuchilla	Suporte da lâmina
⑭	Koolstofmetaalmes (Mes met dubbele rand)	Cuchilla de carburo (Tipo de cuchilla de doble borde)	Lâmina de carboneto (Tipo de lâmina de fio duplo)
⑮	Schroef	Perno	Parafuso
⑯	Gemonteerde plaat (B)	Placa de ajuste (B)	Placa do conjunto (B)
⑰	Machineschroef	Tornillo de máquina	Parafuso da máquina
⑱	Gedraaid oppervlak	Superficie girada	Superfície torneada
⑲	Gemonteerde plaat (A)	Placa de ajuste (A)	Placa do conjunto (A)
⑳	Gemonteerd meetinstrument	Manómetro de ajuste	Manómetro do conjunto
㉑	Muuroppervlak b	Superficie de pared b	Superfície de parede b
㉒	Vlakke gedeelte van freeszwart	Parte plana del bloque del cortador	Parte plana do bloco cortador
㉓	Groef	Ranura	Ranhura
㉔	Mes (Slijpbaar mes)	Cuchilla (Tipo de cuchilla afilable)	Lâmina (Tipo de lâmina possível de afiar)
㉕	Snijkop	Bloque del cortador	Bloco cortador
㉖	Muuroppervlak a	Superficie de pared a	Superfície de parede a
㉗	Spaankast	Cubierta de virutas	Tampa de aparas
㉘	Schroef D4 x 16	Tornillo D4 x 16	Parafuso D4 x 16
㉙	Stofadapter	Adaptador para el polvo	Adaptador para pó
㉚	Elleboogstuk	Codo	Cotovelo
㉛	Stofzak	Bolsa para el polvo	Saco para pó
㉜	Slijtagegrens	Límite de uso	Límite de desgaste
㉝	Nr. van de koolborstel	Nº de carbón de contacto	Nº de escovas de carvão

	English	Deutsch	Français	Italiano
	Symbols  WARNING The following show symbols used for the machine. Be sure that you understand their meaning before use.	Symbole  WARNUNG Die folgenden Symbole werden für diese Maschine verwendet. Achten Sie darauf, diese vor der Verwendung zu verstehen.	Symboles  AVERTISSEMENT Les symboles suivants sont utilisés pour l'outil. Bien se familiariser avec leur signification avant d'utiliser l'outil.	Simboli  AVVERTENZA Di seguito mostriamo i simboli usati per la macchina. Assicurarsi di comprenderne il significato prima dell'uso.
	Read all safety warnings and all instructions. Failure to follow the warnings and instructions may result in electric shock, fire and/or serious injury.	Lesen Sie sämtliche Sicherheitshinweise und Anweisungen durch. Wenn die Warnungen und Anweisungen nicht befolgt werden, kann es zu Stromschlag, Brand und/oder ernsthaften Verletzungen kommen.	Lire tous les avertissements de sécurité et toutes les instructions. Tout manquement à observer ces avertissements et instructions peut engendrer des chocs électriques, des incendies et/ou des blessures graves.	Leggere tutti gli avvertimenti di sicurezza e tutte le istruzioni. La mancata osservanza degli avvertimenti e delle istruzioni potrebbe essere causa di scosse elettriche, incendi e/o gravi lesioni.
	Only for EU countries Do not dispose of electric tools together with household waste material! In observance of European Directive 2002/96/EC on waste electrical and electronic equipment and its implementation in accordance with national law, electric tools that have reached the end of their life must be collected separately and returned to an environmentally compatible recycling facility.	Nur für EU-Länder Werfen Sie Elektrowerkzeuge nicht in den Hausmüll! Gemäss Europäischer Richtlinie 2002/96/EG über Elektro- und Elektronik- Altgeräte und Umsetzung in nationales Recht müssen verbrauchte Elektrowerkzeuge getrennt gesammelt und einer umweltgerechten Wiederverwertung zugeführt werden.	Pour les pays européens uniquement Ne pas jeter les appareils électriques dans les ordures ménagères! Conformément à la directive européenne 2002/96/CE relative aux déchets d'équipements électriques ou électroniques (DEEE), et à sa transposition dans la législation nationale, les appareils électriques doivent être collectés à part et être soumis à un recyclage respectueux de l'environnement.	Solo per Paesi UE Non gettare le apparecchiature elettriche tra i rifiuti domestici. Secondo la Direttiva Europea 2002/96/CE sui rifiuti di apparecchiature elettriche ed elettroniche e la sua attuazione in conformità alle norme nazionali, le apparecchiature elettriche esauste devono essere raccolte separatamente, al fine di essere reimpiegate in modo eco-compatibile.
n_0	no-load speed	Leerlaufdrehzahl	Vitesse à vide	Velocità a vuoto
/min or min^{-1}	Revolutions or reciprocations per minute	Umdrehungen oder Pendelbewegungen pro Minute	Tours ou mouvements alternatifs par minute	Rivoluzioni o reciprocazioni per minuto
~	Alternating current	Wechselstrom	Courant alternatif	Corrente alternata
	Class II tool	Werkzeug der Klasse II	Outil classe II	Attrezzo di Classe II
	Caution	Achtung	Attention	Attenzione
V	Volts	Volt	Volts	Volt
A	Amperes	Ampere	Ampères	Ampere
Hz	Hertz	Hertz	Hertz	Hertz
W	Watts	Watt	Watts	Watt
kg	Kilograms	Kilogramm	Kilogrammes	Kilogrammi

	Nederlands	Español	Português
	<p>Symbolen ⚠ WAARSCHUWING Hieronder staan symbolen afgebeeld die van toepassing zijn op deze machine. U moet de betekenis hiervan begrijpen voor gebruik.</p>	<p> Símbolos ⚠ ADVERTENCIA A continuación se muestran los símbolos usados para la máquina. Asegúrese de comprender su significado antes del uso.</p>	<p> Símbolos ⚠ AVISO A seguir aparecem os símbolos utilizados pela máquina. Assimile bem seus significados antes do uso.</p>
	<p>Lees alle waarschuwingen en instructies aandachtig door. Nalating om de waarschuwingen en instructies op te volgen kan in een elektrische schok, brand en/of ernstig letsel resulteren.</p>	<p>Lea todas las instrucciones y advertencias de seguridad. Si no se siguen las advertencias e instrucciones, podría producirse una descarga eléctrica, un incendio y/o daños graves.</p>	<p>Leia todas as instruções e avisos de segurança. Se não seguir todas as instruções e os avisos, pode provocar um choque eléctrico, incêndio e/ou ferimentos graves.</p>
	<p>Alleen voor EU-landen Geef elektrisch gereedschap niet met het huisvuil mee! Volgens de Europese richtlijn 2002/96/EC inzake oude elektrische apparaten en de toepassing daarvan binnen de nationale wetgeving, dient gebruikt elektrisch gereedschap gescheiden te worden ingezameld en te worden afgevoerd naar een recycle bedrijf dat voldoet aan de geldende milieu-eisen.</p>	<p>Sólo para países de la Unión Europea ¡No deseche los aparatos eléctricos junto con los residuos domésticos! De conformidad con la Directiva Europea 2002/96/CE sobre residuos de aparatos eléctricos y electrónicos y su aplicación de acuerdo con la legislación nacional, las herramientas eléctricas cuya vida útil haya llegado a su fin se deberán recoger por separado y trasladar a una planta de reciclaje que cumpla con las exigencias ecológicas.</p>	<p>Apenas para países da UE Não deite ferramentas eléctricas no lixo doméstico! De acordo com a directiva europeia 2002/96/CE sobre ferramentas eléctricas e electrónicas usadas e a transposição para as leis nacionais, as ferramentas eléctricas usadas devem ser recolhidas em separado e encaminhadas a uma instalação de reciclagem dos materiais ecológica.</p>
n_0	snelheid onbelast	velocidad sin carga	velocidade sem carga
/min or min^{-1}	Toerental of heen-en-weer gaande beweging per minuut.	Revoluciones o giros por minuto	Rotações ou alterações por minuto
~	Wisselstroom	Corriente alterna	Corrente alternada
	Gereedschap klasse II	Herramienta de Clase II	Feramenta de classe II
	Voorzichtig	Precaución	Atenção
V	Volt	Voltios	Volts
A	Ampère	Amperes	Amperes
Hz	Hertz	Hertz o hercios	Hertz
W	Watt	Watts o vatios	Watts
kg	Kilogram	Kilogramos	Quilogramas

GENERAL POWER TOOL SAFETY WARNINGS

WARNING

Read all safety warnings and all instructions.

Failure to follow the warnings and instructions may result in electric shock, fire and/or serious injury.

Save all warnings and instructions for future reference.

The term "power tool" in the warnings refers to your mains-operated (corded) power tool or battery-operated (cordless) power tool.

1) Work area safety

- a) **Keep work area clean and well lit.**
Cluttered or dark areas invite accidents.
- b) **Do not operate power tools in explosive atmospheres, such as in the presence of flammable liquids, gases or dust.**
Power tools create sparks which may ignite the dust or fumes.
- c) **Keep children and bystanders away while operating a power tool.**
Distractions can cause you to lose control.

2) Electrical safety

- a) **Power tool plugs must match the outlet. Never modify the plug in any way. Do not use any adapter plugs with earthed (grounded) power tools.**
Unmodified plugs and matching outlets will reduce risk of electric shock.
- b) **Avoid body contact with earthed or grounded surfaces, such as pipes, radiators, ranges and refrigerators.**
There is an increased risk of electric shock if your body is earthed or grounded.
- c) **Do not expose power tools to rain or wet conditions.**
Water entering a power tool will increase the risk of electric shock.
- d) **Do not abuse the cord. Never use the cord for carrying, pulling or unplugging the power tool. Keep cord away from heat, oil, sharp edges or moving parts.**
Damaged or entangled cords increase the risk of electric shock.
- e) **When operating a power tool outdoors, use an extension cord suitable for outdoor use.**
Use of a cord suitable for outdoor use reduces the risk of electric shock.
- f) **If operating a power tool in a damp location is unavoidable, use a residual current device (RCD) protected supply.**
Use of an RCD reduces the risk of electric shock.

3) Personal safety

- a) **Stay alert, watch what you are doing and use common sense when operating a power tool. Do not use a power tool while you are tired or under the influence of drugs, alcohol or medication.**
A moment of inattention while operating power tools may result in serious personal injury.
- b) **Use personal protective equipment. Always wear eye protection.**
Protective equipment such as dust mask, non-skid safety shoes, hard hat, or hearing protection used for appropriate conditions will reduce personal injuries.
- c) **Prevent unintentional starting. Ensure the switch is in the off-position before connecting to power source and/or battery pack, picking up or carrying the tool.**

Carrying power tools with your finger on the switch or energising power tools that have the switch on invites accidents.

- d) **Remove any adjusting key or wrench before turning the power tool on.**
A wrench or a key left attached to a rotating part of the power tool may result in personal injury.
- e) **Do not overreach. Keep proper footing and balance at all times.**
This enables better control of the power tool in unexpected situations.
- f) **Dress properly. Do not wear loose clothing or jewellery. Keep your hair, clothing and gloves away from moving parts.**
Loose clothes, jewellery or long hair can be caught in moving parts.
- g) **If devices are provided for the connection of dust extraction and collection facilities, ensure these are connected and properly used.**
Use of dust collection can reduce dust related hazards.

4) Power tool use and care

- a) **Do not force the power tool. Use the correct power tool for your application.**
The correct power tool will do the job better and safer at the rate for which it was designed.
- b) **Do not use the power tool if the switch does not turn it on and off.**
Any power tool that cannot be controlled with the switch is dangerous and must be repaired.
- c) **Disconnect the plug from the power source and/or the battery pack from the power tool before making any adjustments, changing accessories, or storing power tools.**
Such preventive safety measures reduce the risk of starting the power tool accidentally.
- d) **Store idle power tools out of the reach of children and do not allow persons unfamiliar with the power tool or these instructions to operate the power tool. Power tools are dangerous in the hands of untrained users.**
- e) **Maintain power tools. Check for misalignment or binding of moving parts, breakage of parts and any other condition that may affect the power tool's operation.**
If damaged, have the power tool repaired before use.
Many accidents are caused by poorly maintained power tools.
- f) **Keep cutting tools sharp and clean.**
Properly maintained cutting tools with sharp cutting edges are less likely to bind and are easier to control.
- g) **Use the power tool, accessories and tool bits etc. in accordance with these instructions, taking into account the working conditions and the work to be performed.**
Use of the power tool for operations different from those intended could result in a hazardous situation.

5) Service

- a) **Have your power tool serviced by a qualified repair person using only identical replacement parts.**
This will ensure that the safety of the power tool is maintained.

PLANER SAFETY WARNINGS

1. **Wait for the cutter to stop before settling the tool down.**
An exposed rotating cutter may engage the surface leading to possible loss of control and serious injury.
2. **Hold the power tool by insulated gripping surface only, because the cutter may contact its own cord.**
Cutting a "live" wire may make exposed metal parts of the power tool "live" and could give the operator an electric shock.

3. **Use clamps or another practical way to secure and support the workpiece to a stable platform.** Holding the work by your hand or against the body leaves it unstable and may lead to loss of control.
4. Do not use the Planer with the blades facing upward (as stationary type planer).

SPECIFICATIONS

Voltage (by areas)*	(110 V, 230 V, 240 V) ~
Power Input	620 W*
Cutting Width	82 mm
Max. Cutting Depth	2.6 mm
Weight (without cord and guide)	2.5 kg
No-Load Speed	17000 min ⁻¹

* Be sure to check the nameplate on product as it is subject to change by areas.

STANDARD ACCESSORIES

1. Box Wrench (for securing cutter blade) 1
 2. Set Gauge (for adjusting cutter height) 1
 3. Guide (with set screw) 1
 4. Blade Sharpening Ass'y
(for Resharpenable Blade Type)..... 1
 5. Case (not supplied in all areas) 1
- Standard accessories are subject to change without notice.

4. Prepare a stable wooden workbench suitable for planing operation. As a poorly balanced workbench creates a hazard, ensure it is securely positioned on firm, level ground.
5. **RCD**
The use of a residual current device with a rated residual current of 30mA or less at all times is recommended.

OPTIONAL ACCESSORIES (sold separately)

1. Dust adapter
 2. Elbow
 3. Dust bag
- Optional accessories are subject to change without notice.

APPLICATIONS

- Planing various wooden planks and panels.
(See Fig. 1-4)

PRIOR TO OPERATION

1. **Power source**
Ensure that the power source to be utilized conforms to the power requirements specified on the product nameplate.
2. **Power switch**
Ensure that the power switch is in the OFF position. If the plug is connected to a receptacle while the power switch is in the ON position, the power tool will start operating immediately, which could cause a serious accident.
3. **Extension cord**
When the work area is removed from the power source, use an extension cord of sufficient thickness and rated capacity. The extension cord should be kept as short as practicable.

PLANING PROCEDURES

1. **Adjusting the cutter depth**
(1) Turn the knob in the direction indicated by the arrow in Fig. 5 (clockwise), until the triangular mark is aligned with the desired cutting depth on the scale. The scale unit is graduated in millimeters.
(2) The cutting depth can be adjusted within a range of 0-2.6 mm.
2. **Surface cutting**
Rough cutting should be accomplished at large cutting depths and at a suitable speed so that shavings are smoothly ejected from the machine. To ensure a smoothly finished surface, finish cutting should be accomplished at small cutting depths and at low feeding speed.
3. **Beginning and ending the cutting operation**
As shown in Fig. 6, place the front base of the planer on the material and support the planer horizontally. Turn ON the power switch, and slowly operate the planer toward the leading edge of the material. Firmly depress the front half of the planer at the first stage of cutting, as shown in Fig. 7, depress the rear half of the planer at the end of the cutting operation. The planer must always be kept flat throughout the entire cutting operation.
4. **Precaution after finishing the planing operation**
When the planer is suspended with one hand after finishing the planing operation, ensure that the cutting blades (base) of the planer do not contact or come too near your body. Failure to do so could result in serious injury.

5. Cord holder

A cord holder is provided on the back of the handle below where the cord is attached. Clip the cord in the holder from right or left depending on which side you want the cord to be. (Fig. 8)

6. Stand

Lift the back of the planer to extend the foot from the base. Having the stand extended when you put the planer down prevents contact between the blade and the material. (Fig. 9)

CARBIDE BLADE ASSEMBLY AND DISASSEMBLY AND ADJUSTMENT OF CUTTER BLADE HEIGHT (FOR DOUBLE EDGED BLADE TYPE)

1. Carbide blade disassembly

- (1) As shown in Fig. 10, loosen the blade holder with the attached box wrench.
- (2) As shown in Fig. 11, remove the carbide blade by sliding it with the attached box wrench.

CAUTION

Be careful not to injure your hands.

2. Carbide blade assembly

CAUTION

Prior to assembly, thoroughly wipe off all swarf accumulated on the carbide blade.

- (1) As shown in Fig. 12, lift set plate (B) and insert the new carbide blade between cutter block and set plate (B).
- (2) As shown in Fig. 13, mount the new carbide blade by sliding it on the set plate (B) so that the blade tip projects by 1mm from the end of the cutter block.
- (3) As shown in Fig. 14, fix the bolts at the blade holder after blade replacement has been completed.
- (4) Turn the cutter block over, and set the other side in the same manner.

3. Adjustment of carbide blade height

CAUTION

If the carbide blade's heights are inaccurate after above procedures have been completed, carry out the procedures described below.

- (1) As shown in Fig. 15, use the box wrench to loosen the three bolts used to retain the carbide blade, and remove the blade holder.
- (2) As shown in Fig. 16, after removing the carbide blade, slide set plate (B) in the direction indicated by the arrow to disassemble set plate (B).
- (3) Loosen the 2 screws holding on the carbide blade and set plate (A), set plate (B).
- (4) As shown in Fig. 17, 18, press the turned surface of set plate (A) to the wall surface b while adjusting the carbide blade edge to the wall surface a of the set gauge. Then, tighten them with the 2 screws.
- (5) As shown in Fig. 19, 20, insert a turned portion of set plate (A) attached to set plate (B) into a groove on the flat portion of the cutter block.
- (6) As shown in Fig. 21, place the blade holder on the completed assembly and fasten it with the three bolts. Ensure that the bolts are securely tightened. Follow the same procedures for the opposite side carbide blade.

BLADE ASSEMBLY AND DISASSEMBLY AND ADJUSTMENT OF BLADE HEIGHT (FOR RESHARPENABLE BLADE TYPE)

1. Blade disassembly

- (1) As shown in Fig. 15, use the accessory box wrench to loosen the three bolts used to retain the blade, and remove the blade holder.
- (2) As shown in Fig. 16, slide the blade in the direction indicated by the arrow to disassemble the blade.

CAUTION

Be careful not to injure your hands.

2. Blade assembly

CAUTION

Prior to assembly, thoroughly wipe off all swarf accumulated on the blade.

- (1) Insert a turned portion of set plate (A) attached to the blade into a groove on the flat portion of the cutter block. (Fig. 19, 22)
Set the blade so that both sides of the blade protrude from the width of the cutter block by about 1 mm (Fig. 23)
- (2) Place the blade holder on the completed assembly, as shown in Fig. 24, and fasten it with the three bolts. Ensure that the bolts are securely tightened.
- (3) Turn the cutter block over, and set the opposite side in the same manner.

3. Adjustment of blade height

- (1) Loosen the 2 screws holding on the blade and set plate (A).
- (2) Press the turned surface of set plate (A) to the wall surface b while adjusting the blade edge to the wall surface a of the set gauge. Then, tighten them with the 2 screws. (Fig. 17, 25)

SHARPENING THE RESHARPENABLE BLADES

Use of the accessory Blade Sharpening Ass'y is recommended for convenience.

1. Use of Blade Sharpening Ass'y

As shown in Fig. 26, two blades can be mounted on the blade sharpening ass'y to ensure that the blade tips are ground at uniform angles. During grinding, adjust the position of the blades so that their edges simultaneously contact the dressing stone as shown in Fig. 27.

2. Blade sharpening intervals

Blade sharpening intervals depend on the type of wood being cut and the cutting depth. However, sharpening should generally be effected after each 500 meters of cutting operation.

3. Dressing Stone

When a water dressing stone is available, use it after dipping it sufficiently in water since such a dressing stone may be worn during grinding works, flatten the upper surface of the dressing stone as often as necessary.

ATTACHING AND DETACHING THE DUST ADAPTER (OPTIONAL ACCESSORY)

CAUTION

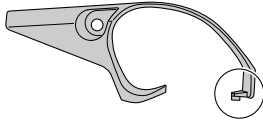
- To prevent accidents, ensure that the power tool is switched off and the plug is disconnected from the power source.
- Follow the procedure below to mount the dust adapter securely. Failure to do so may result in the adapter coming off, causing injury.

1. Attaching the dust adapter

- (1) Remove the screw D4 × 16 in the chip cover and remove the chip cover as shown in **Fig. 28**.
- (2) Mount the dust adapter and secure with the screw D4 × 16. (**Fig. 29**)

NOTE:

Take care not to break the catch when attaching or detaching the dust adapter and chip cover.



2. Removing the dust adapter

To remove the dust adapter, follow the procedure above in reverse order.

MAINTENANCE AND INSPECTION

1. Inspecting the blades

Continued use of dull or damaged blades will result in reduced cutting efficiency and may cause overloading of the motor. Sharpen or replace the blades as often as necessary.

2. Handling

CAUTION

The front base, rear base, and cutting depth control knob are precisely machined to obtain specifically high precision. If these parts are roughly handled or subjected to heavy mechanical impact, it may cause deteriorated precision and reduced cutting performance. These parts must be handled with particular care.

3. Inspecting the mounting screws

Regularly inspect all mounting screws and ensure that they are properly tightened. Should any of the screws be loose, retighten them immediately. Failure to do so could result in serious hazard.

4. Inspecting the carbon brushes (**Fig. 30**)

The motor employs carbon brushes which are consumable parts. Since an excessively worn carbon brush can result in motor trouble, replace the carbon brushes with new ones having the same carbon brush No. shown in the figure when it becomes worn to or near the “wear limit”. In addition, always keep carbon brushes clean and ensure that they slide freely within the brush holders.

5. Replacing carbon brushes

After removing the chip cover, use a slotted screwdriver to disassemble the brush caps. The carbon brushes can then be easily removed with the spring.

6. Maintenance of the motor

The motor unit winding is the very “heart” of the power tool.

Exercise due care to ensure the winding does not become damaged and/or wet with oil or water.

7. Replacing supply cord

If the replacement of the supply cord is necessary, it has to be done by HiKOKI Authorized Service Center to avoid a safety hazard.

8. Service parts list

CAUTION

Repair, modification and inspection of HiKOKI Power Tools must be carried out by a HiKOKI Authorized Service Center.

This Parts List will be helpful if presented with the tool to the HiKOKI Authorized Service Center when requesting repair or other maintenance.

In the operation and maintenance of power tools, the safety regulations and standards prescribed in each country must be observed.

MODIFICATION

HiKOKI Power Tools are constantly being improved and modified to incorporate the latest technological advancements.

Accordingly, some parts may be changed without prior notice.

GUARANTEE

We guarantee HiKOKI Power Tools in accordance with statutory/country specific regulation. This guarantee does not cover defects or damage due to misuse, abuse, or normal wear and tear. In case of complaint, please send the Power Tool, undismantled, with the GUARANTEE CERTIFICATE found at the end of this Handling instruction, to a HiKOKI Authorized Service Center.

NOTE

Due to HiKOKI's continuing program of research and development, the specifications herein are subject to change without prior notice.

IMPORTANT

Correct connection of the plug

The wires of the main lead are coloured in accordance with the following code:

Blue: -- Neutral

Brown: -- Live

As the colours of the wires in the main lead of this tool may not correspond with the coloured markings identifying the terminals in your plug proceed as follows: The wire coloured blue must be connected to the terminal marked with the letter N or coloured black.

The wire coloured brown must be connected to the terminal marked with the letter L or coloured red.

Neither core must be connected to the earth terminal.

NOTE

This requirement is provided according to BRITISH STANDARD 2769: 1984.

Therefore, the letter code and colour code may not be applicable to other markets except The United Kingdom.

Information concerning airborne noise and vibration

The measured values were determined according to EN60745 and declared in accordance with ISO 4871.

Measured A-weighted sound power level: 94 dB (A).
Measured A-weighted sound pressure level: 83 dB (A).
Uncertainty KpA: 3 dB (A).

Wear hearing protection.

Vibration total values (triax vector sum) determined according to EN60745.

Planing softwood:

Vibration emission value $a_h = 3.1 \text{ m/s}^2$

Uncertainty K = 1.5 m/s^2

The declared vibration total value has been measured in accordance with a standard test method and may be used for comparing one tool with another.

It may also be used in a preliminary assessment of exposure.

WARNING

- The vibration emission during actual use of the power tool can differ from the declared total value depending on the ways in which the tool is used.
- Identify safety measures to protect the operator that are based on an estimation of exposure in the actual conditions of use (taking account of all parts of the operating cycle such as the times when the tool is switched off and when it is running idle in addition to the trigger time).

ALLGEMEINE SICHERHEITSHINWEISE FÜR ELEKTROGERÄTE

⚠ WARNUNG

Lesen Sie sämtliche Sicherheitshinweise und Anweisungen durch. Wenn die Warnungen und Anweisungen nicht befolgt werden, kann es zu Stromschlag, Brand und/oder ernsthaften Verletzungen kommen.

Bitte bewahren Sie alle Warnhinweise und Anweisungen zum späteren Nachschlagen auf.

Der Begriff „Elektrowerkzeug“ bezieht sich in den Warnhinweisen auf Elektrowerkzeuge mit Netz- (schnurgebunden) oder Akkubetrieb (schnurlos).

1) Sicherheit im Arbeitsbereich

- a) Sorgen Sie für einen sauberen und gut ausgeleuchteten Arbeitsbereich.
Zugestellte oder dunkle Bereiche ziehen Unfälle förmlich an.
- b) Verwenden Sie Elektrowerkzeuge niemals an Orten, an denen Explosionsgefahr besteht – zum Beispiel in der Nähe von leicht entflammaren Flüssigkeiten, Gasen oder Stäuben.
Bei der Arbeit mit Elektrowerkzeugen kann es zu Funkenbildung kommen, wodurch sich Stäube oder Dämpfe entzünden können.
- c) Sorgen Sie bei der Arbeit mit Elektrowerkzeugen dafür, dass sich keine Zuschauer (insbesondere Kinder) in der Nähe befinden. Wenn Sie abgelenkt werden, können Sie die Kontrolle über das Werkzeug verlieren.

2) Elektrische Sicherheit

- a) Elektrowerkzeuge müssen mit passender Stromversorgung betrieben werden.
Nehmen Sie niemals irgendwelche Änderungen am Anschlussstecker vor.
Verwenden Sie bei Elektrowerkzeugen mit Schutzkontakt (geerdet) niemals Adapterstecker.
Stecker im Originalzustand und passende Steckdosen reduzieren das Stromschlagrisiko.
- b) Vermeiden Sie Körperkontakt mit geerdeten Gegenständen wie Rohrleitungen, Heizungen, Herden oder Kühlschränken.
Bei Körperkontakt mit geerdeten Gegenständen besteht ein erhöhtes Stromschlagrisiko.
- c) Setzen Sie Elektrowerkzeuge niemals Regen oder sonstiger Feuchtigkeit aus.
Wenn Flüssigkeiten in ein Elektrowerkzeug eindringen, erhöht sich das Stromschlagrisiko.
- d) Verwenden Sie die Anschlusschnur nicht missbräuchlich. Tragen Sie das Elektrowerkzeug niemals an der Anschlusschnur, ziehen Sie es nicht damit heran und ziehen Sie den Stecker nicht an der Anschlusschnur aus der Steckdose.
Halten Sie die Anschlusschnur von Hitzequellen, Öl, scharfen Kanten und beweglichen Teilen fern.
Beschädigte oder verdrehte Anschlusschnüre erhöhen das Stromschlagrisiko.
- e) Wenn Sie ein Elektrowerkzeug im Freien benutzen, verwenden Sie ein für den Außeneinsatz geeignetes Verlängerungskabel.
Ein für den Außeneinsatz geeignetes Kabel vermindert das Stromschlagrisiko.
- f) Falls sich der Betrieb des Elektrowerkzeuges in feuchter Umgebung nicht vermeiden lässt, verwenden Sie eine Stromversorgung mit Fehlerstromschutzeinrichtung (Residual Current Device, RCD).
Durch den Einsatz einer Fehlerstromschutzeinrichtung wird das Risiko eines elektrischen Schlages reduziert.

3) Persönliche Sicherheit

- a) Bleiben Sie wachsam, achten Sie auf das, was Sie tun, und setzen Sie Ihren Verstand ein, wenn Sie mit Elektrowerkzeugen arbeiten. Benutzen Sie keine Elektrowerkzeuge, wenn Sie müde sind oder unter Einfluss von Drogen, Alkohol oder Medikamenten stehen.
Bei der Arbeit mit Elektrowerkzeugen können bereits kurze Phasen der Unaufmerksamkeit zu schweren Verletzungen führen.
- b) Benutzen Sie eine persönliche Schutzausrüstung. Tragen Sie immer einen Augenschutz.
Schutzausrüstung wie Staubmaske, rutschsichere Sicherheitsschuhe, Schutzhelm und Gehörschutz senken das Verletzungsrisiko bei angemessenem Einsatz.

- c) Vermeiden Sie unbeabsichtigten Anlauf. Achten Sie darauf, dass sich der Schalter in der Aus- (Off-) Position befindet, ehe Sie das Gerät mit der Stromversorgung und/oder Batteriestromversorgung verbinden, es aufheben oder herumtragen.
Das Herumtragen von Elektrowerkzeugen mit dem Finger am Schalter oder das Herstellen der Stromversorgung bei betätigtem Schalter zieht Unfälle regelrecht an.
- d) Entfernen Sie sämtliche Einstellwerkzeuge (Einstellschlüssel), ehe Sie das Elektrowerkzeug einschalten.
Ein an einem beweglichen Teil des Elektrowerkzeugs angebrachter Einstell Schlüssel kann zu Verletzungen führen.
- e) Sorgen Sie für einen festen Stand. Achten Sie jederzeit darauf, sicher zu stehen und das Gleichgewicht zu bewahren.
Dadurch haben Sie das Elektrowerkzeug in unerwarteten Situationen besser im Griff.
- f) Kleiden Sie sich richtig. Tragen Sie keine lose Kleidung oder Schmuck. Halten Sie Haar, Kleidung und Handschuhe von beweglichen Teilen fern.
Lose Kleidung, Schmuck oder langes Haar kann von beweglichen Teilen erfasst werden.
- g) Wenn Anschlüsse für Staubabsaug- und -sammelvorrichtungen vorhanden sind, sorgen Sie dafür, dass diese richtig angeschlossen und eingesetzt werden.
Durch Entfernen des Staubes können staubbezogene Gefahren vermindert werden.

4) Einsatz und Pflege von Elektrowerkzeugen

- a) Überansprechen Sie Elektrowerkzeuge nicht. Benutzen Sie das richtige Elektrowerkzeug für Ihren Einsatzzweck.
Das richtige Elektrowerkzeug erledigt seine Arbeit bei bestimmungsgemäßem Einsatz besser und sicherer.
- b) Benutzen Sie das Elektrowerkzeug nicht, wenn es sich nicht am Schalter ein- und ausschalten lässt.
Jedes Elektrowerkzeug, das nicht mit dem Schalter betätigt werden kann, stellt eine Gefahr dar und muss repariert werden.
- c) Stecken Sie den Stecker der Stromversorgung oder Batteriestromversorgung vom Gerät ab, ehe Sie Einstellarbeiten vornehmen, Zubehöerteile tauschen oder das Elektrowerkzeug verstauen.
Solche präventiven Sicherheitsmaßnahmen verhindern den unbeabsichtigten Anlauf des Elektrowerkzeugs und die damit verbundenen Gefahren.
- d) Lagern Sie nicht benutzte Elektrowerkzeuge außerhalb der Reichweite von Kindern, lassen Sie nicht zu, dass Personen das Elektrowerkzeug bedienen, die nicht mit dem Werkzeug selbst und/oder diesen Anweisungen vertraut sind.
Elektrowerkzeuge in ungeschulten Händen sind gefährlich.
- e) Halten Sie Elektrowerkzeuge in Stand. Prüfen Sie auf Fleischausrichtungen, sicheren Halt und Leichtgängigkeit beweglicher Teile, Beschädigungen von Teilen und auf jegliche andere Zustände, die sich auf den Betrieb des Elektrowerkzeugs auswirken können.
Bei Beschädigungen lassen Sie das Elektrowerkzeug reparieren, ehe Sie es benutzen.
Viele Unfälle mit Elektrowerkzeugen sind auf schlechte Wartung zurückzuführen.
- f) Halten Sie Schneidwerkzeuge scharf und sauber.
Richtig gewartete Schneidwerkzeuge mit scharfen Schneidkanten bleiben weniger häufig hängen und sind einfacher zu beherrschen.
- g) Benutzen Sie Elektrowerkzeuge, Zubehör, Werkzeugschneiden und Ähnliches in Übereinstimmung mit diesen Anweisungen – beachten Sie dabei die jeweiligen Arbeitsbedingungen und die Art und Weise der auszuführenden Arbeiten.
Der Gebrauch des Elektrowerkzeuges für andere als die vorgesehenen Anwendungen kann zu gefährlichen Situationen führen.

5) Service

- a) Lassen Sie Elektrowerkzeuge durch qualifizierte Fachkräfte und unter Einsatz passender, zugelassener Originalteile warten.
Dies sorgt dafür, dass die Sicherheit des Elektrowerkzeugs nicht beeinträchtigt wird.

SICHERHEITSHINWEISE FÜR HOBEL

1. **Warten Sie, bis das Hobeleisen zum Stillstand gekommen ist und legen Sie das Werkzeug erst dann nieder.**

Ein freiliegend rotierendes Schneidewerkzeug könnte sich in die Oberfläche eingraben, was zu Kontrollverlust und schweren Verletzungen führen kann.

2. **Halten Sie das Elektrogerät nur an der isolierten Grifffläche, da das Schneidewerkzeug mit dem Gerätkabel in Berührung kommen könnte.** Beim Durchschneiden von stromführenden Drähten können die freiliegenden Metallteile des Elektrogeräts unter Strom kommen und dem Bediener einen Stromschlag versetzen.

3. **Benutzen Sie Klemmen oder eine andere praktische Vorrichtung zum Sichern und Halten des Werkstücks auf einer stabilen Arbeitsfläche.** Wenn Sie das Werkstück mit der Hand oder gegen Ihren Körper halten, ist es nicht stabil und kann außer Kontrolle geraten.
4. Die Hobelmaschine nicht mit dem Messer nach oben verwenden (als stationäre Hobelmaschine zu verwenden).

TECHNISCHE DATEN

Spannung (je nach Gebiet)*	(110 V, 230 V, 240 V) ~
Leistungsaufnahme	620 W*
Hobelbreite	82 mm
Max. Spantiefe	2,6 mm
Gewicht (ohne Kabel und Führung)	2,5 kg
Leerlaufgeschwindigkeit	17000 min ⁻¹

* Vergessen Sie nicht, die Produktangaben auf dem Typenschild zu überprüfen, da sich diese je nach Verkaufsgebiet ändern.

STANDARDZUBEHÖR

1. Steckschlüssel (zum Festziehen des Hobelmessers) 1
 2. Einstellehre 1
 3. Führung (mit Stellschraube) 1
 4. Schärfvorrichtung für das Messer (für schärfbaren Klingentyp) 1
 5. Koffer (nicht in allen Gebieten im Lieferumfang) 1
- Das Standardzubehör kann ohne vorherige Bekanntmachung jederzeit geändert werden.

SONDERZUBEHÖR - separat zu beziehen

- 1- Staubadapter
2. Knie
3. Staubbeutel

Das Sonderzubehör kann ohne vorherige Bekanntmachung jederzeit geändert werden.

ANWENDUNGSGEBIETE

- Hobeln von verschiedenen Holzplanken und Paneelen. (s. **Abb. 1-4**)

VOR INBETRIEBNAHME

1. Netzspannung

Prüfen, ob die zu verwendende Netzspannung der Angabe auf dem Typenschild entspricht.

2. Netzschalter

Prüfen, ob der Netzschalter auf "AUS" steht. Wenn der Stecker an das Netz angeschlossen wird, während der Schalter auf "EIN" steht, beginnt das Werkzeug sofort zu laufen, was gefährlich wäre.

3. Verlängerungskabel

Wenn der Arbeitsbereich nicht in der Nähe des Netzanschlusses liegt, ist ein Verlängerungskabel ausreichenden Querschnitts und ausreichender Nennleistung zu verwenden. Das Verlängerungskabel sollte so kurz wie möglich gehalten werden.

4. Es ist eine stabile hölzerne Arbeitsunterlage anzufertigen, die für Hobelarbeiten geeignet ist. Eine schlecht ausbalancierte Arbeitsunterlage bildet eine Gefahrenquelle. Es ist darauf zu achten, daß sie auf einem festen, ebenen Untergrund sicher aufgestellt ist.

5. RCD

Wir empfehlen den ständigen Einsatz eines Fehlerstromschutzschalters (FI), Nennstrom bis 30 mA.

HOBELARBEITEN

1. Einstellen der Spantiefe

- (1) Der Knopf wird in der durch den Pfeil in **Abb. 5** (im Uhrzeigersinn) angedeuteten Richtung gedreht, bis das dreieckige Zeichen auf der Skala auf die gewünschte Spantiefe zeigt. Die Skala ist in mm abgestuft.
- (2) Die Spantiefe in einem Bereich von 0-2,6 mm, eingestellt werden.

2. Flächenhobeln

Das Grobhobeln sollte mit großer Spantiefe und in einer geeigneten Geschwindigkeit durchgeführt werden, so daß die Hobelspäne gleichmäßig aus der Maschine ausgeworfen werden. Zur Erzielung einer glatten Oberfläche sollte das abschließende Hobeln mit geringer Spantiefe und niedriger Geschwindigkeit durchgeführt werden.

3. Beginn und Ende der Spanarbeiten

Wie in **Abb. 6** gezeigt, wird der vordere Teil des Hobels auf das Werkstück gesetzt und horizontal abgestützt. Der Motor wird eingeschaltet und der Hobel langsam zur Kante des Werkstücks vorgeschoben. Der vordere Teil des Hobels wird zu Beginn des Spanens, wie in **Abb. 7** gezeigt, fest aufgedrückt, während zum Ende der Spanarbeit die hintere Hälfte des Hobels fest aufgedrückt wird. Der Hobel muß während der gesamten Hobelarbeit flach gehalten werden.

4. Vorsichtsmaßnahmen nach Beendigung der Hobelarbeiten

Wenn der Hobel nach Beendigung der Hobelarbeit mit einer Hand abgenommen wird, ist darauf zu achten, daß das Hobeisen (Unterseite) des Hobels nicht mit dem Körper in Berührung kommt. Sonst können ernsthafte Verletzungen entstehen.

5. Kabelhalter

An der Rückseite des Griffs befindet sich unterhalb des Kabelaustritts ein Kabelhalter. Klemmen Sie das Kabel, je nachdem, auf welcher Seite Sie das Kabel haben wollen, von rechts oder von links in den Halter ein. (**Abb. 8**)

6. Ständer

Heben Sie die Rückseite des Hobels an, um unten den Ständer auszuklappen. Wenn Sie den Hobel bei ausgeklapptem Ständer absetzen, wird dadurch eine Berührung des Schneidwerkzeugs mit dem Material verhindert. (**Abb. 9**)

(3) Die Schrauben am Hobeisenhalter wie in **Abb. 14** gezeigt anziehen, nachdem das Hobeisen ausgewechselt worden ist.

(4) Der Messerkopf wird umgedreht und die andere Seite auf die gleiche Weise befestigt.

3. Einstellen der Höhe des Hobeisens mit Hartmetallschneide

ACHTUNG

Wenn die Höhe der Hartmetallschneide nach Beendigung der obigen Verfahren nicht genau ist, die nachfolgend beschriebenen Verfahren durchführen.

(1) Den Steckschlüssel wie in **Abb. 15** gezeigt verwenden, um die drei Schrauben zu lösen, die das Hobeisen mit Hartmetallschneide halten, und dann den Hobeisenhalter entfernen.

(2) Nach Entfernen des Hobeisens mit Hartmetallschneide die Einstellplatte (B) wie in **Abb. 16** gezeigt in Pfeilrichtung schieben, um die Einstellplatte (B) auszubauen.

(3) Die zwei Schrauben lösen, die das Hobeisen mit Hartmetallschneide auf der Einstellplatte (A) und der Einstellplatte (B) halten.

(4) Die gebogene Oberfläche der Einstellplatte (A) wie in **Abb. 17** und **18** gezeigt zur Wandoberfläche b drücken, während die Kante des Hobeisens mit Hartmetallschneide auf die Wandoberfläche a der Einstell-Lehre ausgerichtet wird. Dann mit den beiden Schrauben anziehen.

(5) Den gebogenen Teil der an der Einstellplatte (B) angebrachten Einstellplatte (A) wie in **Abb. 19** und **20** gezeigt am flachen Teil des Schneidblocks einschieben.

(6) Den Hobeisenhalter wie in **Abb. 21** gezeigt auf die fertige Montage setzen und ihn mit den drei Schrauben befestigen. Sicherstellen, daß die Schrauben fest angezogen sind. Die gleichen Verfahren für das Hobeisen mit Hartmetallschneide auf der gegenüberliegenden Seite ausführen.

EIN- UND AUSBAU DES HOBEISENS UND EINSTELLEN DER SCHNEIDTIEFE (FÜR BEIDSEITIGEN KLINGENTYP)

1. Ausbau des Hobeisens mit Hartmetallschneide

(1) Den Hobeisenhalter mit dem Steckschlüssel des Zubehörs wie in **Abb. 10** gezeigt lösen.

(2) Das Hobeisen wie in **Abb. 11** gezeigt durch Schieben mit dem Steckschlüssel des Zubehörs entfernen.

ACHTUNG

Es ist darauf zu achten, daß man sich die Hände nicht verletzt.

2. Einbau des Hobeisens mit Hartmetallschneide

ACHTUNG

Vor dem Einbau sorgfältig alle feinen Späne usw. vom Hobeisen mit Hartmetallschneide abwischen.

(1) Wie in **Abb. 12** gezeigt, Einstellplatte (B) anheben und das neue Hobeisen mit Hartmetallschneide zwischen Schneidblock und Einstellplatte (B) einschieben.

(2) Das neue Hobeisen mit Hartmetallschneide wie in **Abb. 13** gezeigt durch Verschieben auf der Einstellplatte (B) so anbringen, daß die Klingenspitze 1 mm über das Ende des Schneidblocks hervorsteht.

HOBEISENEIN- UND AUSBAU UND EINSTELLEN DER KLINGENHÖHE (FÜR SCHÄRFBAREN KLINGENTYP)

1. Ausbau des Hobeisens

(1) Die drei Schrauben, die das Hobeisen halten, wie in **Abb. 15** gezeigt mit dem Steckschlüssel des Zubehörs lösen und den Hobeisenhalter entfernen.

(2) Den Hobeisenhalter wie in **Abb. 16** gezeigt auf die fertige Baugruppe setzen und mit den drei Schrauben befestigen. Die Schrauben müssen fest angezogen werden.

ACHTUNG

Es ist darauf zu achten, daß man sich die Hände nicht verletzt.

2. Einbau des Hobeisens

ACHTUNG

Vor dem Einbau des Hobeisens allen Schmutz sorgfältig abwischen.

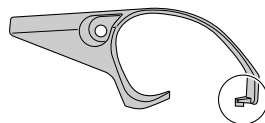
(1) Den gebogenen Teil der am Hobeisen angebrachten Einstellplatte (A) in eine Nut am flachen Teil des Schneidblocks einsetzen. (**Abb. 19, 22**)

Das Hobeisen so einstellen, daß beide Seiten des Hobeisens um etwa 1 mm über die Breite des Schneidblocks überstehen. (**Abb. 23**)

- (2) Der Eisenhalter wird auf die Maschine aufgesetzt und mit den drei Schrauben befestigt, wie in **Abb. 24** dargestellt. Es ist darauf zu achten, daß die Schrauben fest angezogen sind.
- (3) Den Messerkopf umdrehen und das Hobeisen auf der gegenüberliegenden Seite auf die gleiche Weise befestigen.

3. Einstellen der Hobeisenhöhe

- (1) Die zwei Schrauben lösen, die das Hobeisen an der Einstellplatte (A) halten.
- (2) Die gebogene Oberfläche der Einstellplatte (A) gegen die Wandoberfläche b drücken, während die Kante des Hobeisens an der Wandoberfläche a der Einstell-Lehre eingestellt wird. Dann die beiden Schrauben fest anziehen. (**Abb. 17, 25**)



2. Entfernen des Staubadapters

Zum Entfernen des Staubadapters befolgen Sie die obige Vorgangsweise in umgekehrter Reihenfolge.

WARTUNG UND INSPEKTION

1. Inspektion der Hobeisen

Die Weiterverwendung von stumpfen oder beschädigten Hobeisen führt zu verminderter Hobelleistung und kann eine Überbelastung des Motors verursachen. Die Hobeisen werden so oft wie notwendig ersetzt.

2. Behandlung

ACHTUNG

Die vordere Platte, die hintere Platte und der Einstelknopf für die Spantiefe sind zur Erzielung besonders großer Präzision exakt bearbeitet. Wenn diese Teile grob behandelt oder starken mechanischen Schlägen ausgesetzt werden, kann das zu verminderter Präzision und verringerter Hobelleistung führen. Diese Teile müssen mit besonderer Sorgfalt behandelt werden.

3. Inspektion der Befestigungsschrauben

Alle Befestigungsschrauben werden regelmäßig inspiziert und geprüft, ob sie gut angezogen sind. Wenn sich eine der Schrauben lockert, muß sie sofort wieder angezogen werden. Geschieht das nicht, kann das zu erheblichen Gefahren führen.

4. Inspektion der Kohlebürsten (**Abb. 30**)

Im Motor sind Kohlebürsten verwendet, die Verbrauchsteile sind. Übermäßig abgenutzte Kohlebürsten führen zu Motorproblemen. Deshalb wird eine Kohlebürste durch eine neue ersetzt, die dieselbe Nummer trägt, wie auf der Abbildung gezeigt, wenn sie teilweise oder ganz verbraucht ist. Darüber hinaus müssen die Kohlebürsten immer sauber gehalten werden, und sie müssen sich in der Halterung frei bewegen können.

5. Austausch einer Kohlebürste

Nach dem Entfernen der Schnipseldeckung mit einem Negativkopf-Schraubenzieher die Bürstenkappe abbauen. Die Kohlebürste kann dann zusammen mit der Feder leicht entfernt werden.

6. Wartung des Motors

Die Motorwicklung ist das "Herz" des Elektrowerkzeugs. Daher ist besonders sorgfältig darauf zu achten, daß die Wicklung nicht beschädigt wird und/oder mit Öl oder Wasser in Berührung kommt.

7. Auswechseln des Netzkabels

Wenn eine Auswechslung des Netzkabels erforderlich ist, muss dies zur Vermeidung von Gefahren von einem von HiKOKI autorisierten Wartungszentrum durchgeführt werden.

SCHÄRFEN DER SCHÄRFBAREN HOBEISEN

Für bequemes Schärfen wird die Verwendung der Hobeisen-Schärfvorrichtung empfohlen.

1. Verwendung der Hobeisen-Schärfvorrichtung

Wie in **Abb. 26** gezeigt, können zwei Hobeisen an der Hobeisen-Schärfvorrichtung angebracht werden, um sicherzustellen, daß beide Schneiden im gleichen Winkel geschliffen werden. Beim Schleifen die Position der Hobeisen so einstellen, daß ihre Schneiden wie in **Abb. 27** gezeigt gleichzeitig in Kontakt mit dem Schleifstein kommen.

2. Zeitraum für Schleifen der Hobeisen

Der Zeitraum für Schleifen der Hobeisen hängt von der geschnittenen Holzart und der Schneidtiefe ab. Allgemein sollte Schärfen jeweils nach 500 m Schneidbetrieb durchgeführt werden.

3. Abziehstein

Wenn ein Naßschleifstein vorhanden ist, ihn vor der Verwendung ausreichend in Wasser eintauchen und die obere Oberfläche des Schleifsteins durch das Schleifen abgenutzt wird, muß sie so oft wie erforderlich eingeebnet werden.

ANBRINGEN UND ABNEHMEN DES STAUBADAPTERS (OPTIONALES ZUBEHÖR)

ACHTUNG

- Achten Sie zur Verhütung von Unfällen darauf, dass das Elektrogerät ausgeschaltet und der Netzstecker aus der Dose gezogen ist.
- Befolgen Sie die nachstehende Vorgangsweise zum sicheren Montieren des Staubadapters. Werden die Anweisungen nicht befolgt, kann sich der Adapter lösen und Verletzungen verursachen.

1. Anbringen des Staubadapters

- (1) Schrauben Sie die Schrauben D4 × 16 von der Spanabdeckung und die Spanabdeckung ab wie in **Abb. 28** gezeigt.
- (2) Montieren Sie den Staubadapter und befestigen Sie ihn mit den Schrauben D4 × 16. (**Abb. 29**)

HINWEIS

Achten Sie darauf, beim Anbringen von Staubadapter und Spanabdeckung nicht die Arretierung zu zerbrechen.

8. Liste der Wartungsteile

ACHTUNG

Reparatur, Modifikation und Inspektion von HiKOKI-Elektrowerkzeugen müssen durch ein Autorisiertes HiKOKI-Wartungszentrum durchgeführt werden.

Diese Teileliste ist hilfreich, wenn sie dem Autorisierten HiKOKI-Wartungszentrum zusammen mit dem Werkzeug für Reparatur oder Wartung ausgehändigt wird.

Bei Betrieb und Wartung von Elektrowerkzeugen müssen die Sicherheitsvorschriften und Normen beachtet werden.

MODIFIKATIONEN

HiKOKI-Elektrowerkzeuge werden fortwährend verbessert und modifiziert, um die neuesten technischen Fortschritte einzubauen.

Dementsprechend ist es möglich, daß einige Teile ohne vorherige Benachrichtigung geändert werden.

GARANTIE

Auf HiKOKI-Elektrowerkzeuge gewähren wir eine Garantie unter Zugrundelegung der jeweils geltenden gesetzlichen und landesspezifischen Bedingungen. Dieses Garantie erstreckt sich nicht auf Gehäusedefekte und nicht auf Schäden, die auf Missbrauch, bestimmungswidrigen Einsatz oder normalen Verschleiß zurückzuführen sind. Im Schadensfall senden Sie das nicht zerlegte Elektrowerkzeug zusammen mit dem GARANTIESCHEIN, den Sie am Ende der Bedienungsanleitung finden, an ein von HiKOKI autorisiertes Servicecenter.

ANMERKUNG

Aufgrund des ständigen Forschungs- und Entwicklungsprogramms von HiKOKI sind Änderungen den hierin gemachten technischen Angaben nicht ausgeschlossen.

Information über Betriebslärm und Vibration

Die gemessenen Werte wurden entsprechend EN60745 bestimmt und in Übereinstimmung mit ISO 4871 ausgewiesen.

Gemessener A-gewichteter Schallpegel: 94 dB (A)

Gemessener A-gewichteter Schalldruck: 83 dB (A)

Messunsicherheit KpA: 3 dB (A)

Gehörschutz tragen.

Gesamtvibrationswerte (3-Achsen-Vektorsumme), bestimmt gemäß EN60745.

Hobeln von Weichholz:

Vibrationsemissionswert $a_h = 3,1 \text{ m/s}^2$

Messunsicherheit K = 1,5 m/s^2

Die angegebenen Gesamtvibrationswerte wurden entsprechend einem standardisierten Testverfahren gemessen und können dazu verwendet werden, Werkzeuge miteinander zu vergleichen.

Außerdem können sie zur vorbereitenden Expositionseinschätzung verwendet werden.

WARNUNG

- Der Vibrationsemissionswert während der tatsächlichen Benutzung des Elektrowerkzeugs kann von dem deklarierten Gesamtwert abweichen, abhängig davon, wie das Werkzeug verwendet wird.
- Legen Sie Sicherheitsmaßnahmen zum Schutz des Bedieners fest, die auf einer Expositionseinschätzung unter den tatsächlichen Benutzungsbedingungen beruhen (unter Berücksichtigung aller Bereiche des Betriebszyklus, darunter neben der Triggerzeit auch die Zeiten, in denen das Werkzeug ausgeschaltet ist oder im Leerlaufbetrieb läuft).

AVERTISSEMENTS DE SÉCURITÉ GÉNÉRAUX CONCERNANT LES OUTILS ÉLECTRIQUES

⚠ AVERTISSEMENT

Lire tous les avertissements de sécurité et toutes les instructions. Tout manquement à observer ces avertissements et instructions peut engendrer des chocs électriques, des incendies et/ou des blessures graves.

Conservez tous les avertissements et toutes les instructions pour vous y référer ultérieurement.

Le terme "outil électrique", utilisé dans les avertissements, se réfère aux outils électriques (câblé) ou aux outils à piles (sans fil).

1) Sécurité sur l'aire de travail

- Maintenir l'aire de travail propre et bien éclairée.
Les endroits encombrés ou sombres sont propices aux accidents.
- Ne pas utiliser d'outils électriques en présence de liquides, gaz ou poussière inflammables, au risque de provoquer une explosion.
Les outils électriques créent des étincelles susceptibles d'enflammer la poussière ou les vapeurs.
- Ne pas laisser les enfants et les visiteurs s'approcher de vous lorsque vous utilisez un outil électrique.
Les distractions peuvent faire perdre le contrôle.

2) Sécurité électrique

- Les prises de l'outil électrique doivent correspondre à la prise secteur.
Ne jamais modifier la prise.
Ne pas utiliser d'adaptateurs avec les outils électriques mis à la masse.
Les prises non modifiées et les prises secteurs correspondantes réduisent les risques de choc électrique.
- Éviter tout contact avec les surfaces mises à la masse telles que les tuyaux, radiateurs, bandes et réfrigérateurs.
Le risque de choc électrique est accru en cas de mise à la masse du corps.
- Ne pas exposer les outils électriques à la pluie ou à des conditions humides.
Si l'eau pénètre dans l'outil, cela augmente les risques de choc électrique.
- Ne pas utiliser le cordon à tort. Ne jamais utiliser le cordon pour transporter ou débrancher l'outil électrique.
Maintenir le cordon loin de la chaleur, de l'huile, des bords pointus ou des pièces mobiles.
Les cordons endommagés ou usés augmentent les risques de choc électrique.
- En cas d'utilisation d'un outil électrique à l'extérieur, utiliser un cordon de rallonge adapté à un usage extérieur.
L'utilisation d'un cordon adapté à l'usage extérieur réduit les risques de choc électrique.
- Si vous devez utiliser un outil électrique dans un endroit humide, utilisez une alimentation protégée contre les courants résiduels.
L'utilisation d'un dispositif de protection contre les courants résiduels réduit le risque de choc électrique.

3) Sécurité personnelle

- Restez alerte, regarder ce que vous faites et usez de votre bon sens en utilisant un outil électrique.
Ne pas utiliser d'outil électrique si vous êtes sous l'influence de drogues, d'alcool ou de médicaments.
Pendant l'utilisation d'outils électrique, un instant d'inattention peut entraîner des blessures graves.
- Utiliser un équipement de protection individuelle. Toujours porter des verres de protection.
L'utilisation d'équipements de protection tels que les masques anti-poussière, les chaussures de sécurité anti-dérapantes, les casques ou les protections auditives dans des conditions appropriées réduisent les risques de blessures.

- Empêcher les démarrages intempestifs. Veiller à ce que l'interrupteur soit en position d'arrêt avant de brancher à une source d'alimentation et/ou une batterie, de ramasser l'outil au sol ou de le transporter.
Transporter les outils électriques avec le doigt sur l'interrupteur ou brancher les outils électriques avec l'interrupteur en position de marche peut entraîner des accidents.
 - Retirer toute clé de sécurité ou clé avant de mettre l'outil électrique en marche.
Laisser une clé ou une clé de sécurité sur une partie mobile de l'outil électrique peut engendrer des blessures.
 - Ne pas trop se pencher. Toujours garder une bonne assise et un bon équilibre pendant le travail.
Cela permet un meilleur contrôle de l'outil électrique dans des situations imprévisibles.
 - Porter des vêtements adéquats. Ne pas porter de vêtements amples ni de bijoux. Maintenir les cheveux, les vêtements et les gants loin des pièces mobiles.
Les vêtements amples ou les cheveux longs peuvent se prendre dans les pièces mobiles.
 - En cas de dispositifs destinés au raccordement d'installations d'extraction et de recueil de la poussière, veiller à ce qu'ils soient correctement raccordés et utilisés.
L'utilisation d'un dispositif de collecte de la poussière peut réduire les dangers associés à la poussière.
- #### 4) Utilisation et entretien d'un outil électrique
- Ne pas forcer sur l'outil électrique. Utiliser l'outil électrique adapté à vos travaux.
Le bon outil électrique fera le travail mieux et en toute sécurité au régime pour lequel il a été conçu.
 - Ne pas utiliser l'outil électrique si l'interrupteur ne le met pas en position de marche et d'arrêt.
Tout outil ne pouvant être contrôlé par l'interrupteur est dangereux et doit être réparé.
 - Débrancher la prise et/ou la batterie avant de procéder à des réglages, au remplacement des accessoires ou au stockage des outils électriques.
Ces mesures préventives de sécurité réduisent les risques de démarrage accidentel de l'outil électrique.
 - Stockez les outils électriques inutilisés hors de la portée des enfants et ne pas laisser des personnes non familiarisées avec l'outil ou ces instructions utiliser l'outil électrique.
Les outils électriques sont dangereux entre les mains d'utilisateurs non habilités.
 - Entretien les outils électriques. Vérifier l'absence de mauvais alignement ou d'arrêt, d'endommagement de pièces ou toute autre condition susceptible d'affecter l'opération de l'outil.
Si l'outil est endommagé, le faire réparer avant utilisation.
De nombreux accidents sont dus à des outils mal entretenus.
 - Maintenir les outils coupants aiguisés et propres.
Des outils coupants bien entretenus avec des bords aiguisés sont moins susceptibles de se coincer et plus simples à contrôler.
 - Utiliser l'outil électrique, les accessoires et les mèches de l'outil, etc. conformément à ces instructions en tenant compte des conditions d'utilisation et du travail à réaliser.
L'utilisation de l'outil électrique pour des opérations différentes de celles pour lesquelles il a été conçu est dangereuse.
- #### 5) Service
- Faire entretenir l'outil électrique par un technicien habilité à l'aide de pièces de rechange identiques exclusivement.
Cela garantira le maintien de la sécurité de l'outil électrique.

AVERTISSEMENTS DE SÉCURITÉ RELATIFS AU RABOT

- Attendez l'arrêt de la lame avant de poser l'outil.**
La lame en rotation, si elle est exposée, peut mordre dans la surface et entraîner une perte de contrôle, voire une blessure grave.
- Maintenez l'outil électrique uniquement par la surface isolée destinée à la prise en main, pour éviter tout risque de contact entre la lame et le cordon d'alimentation.** Le fait de couper un câble électrique peut mettre à nu les fils sous tension et l'opérateur risque un choc électrique.

- Utilisez des pinces, ou un autre outil adapté, pour fixer et soutenir la pièce à usiner sur une plateforme stable.** Le fait de maintenir la pièce à la main ou contre votre corps peut la rendre instable et ainsi entraîner une perte de contrôle.
- Ne pas utiliser le rabot avec les lames tournées vers le haut (comme machine de type stationnaire).

SPECIFICATIONS

Tension (par zone)*	(110 V, 230 V, 240 V) ~
Puissance	620 W*
Largeur de coupe	82 mm
Profondeur max. de coupe	2,6 mm
Poids (sans fil et guide)	2,5 kg
Vitesse sans charge	17000 min ⁻¹

* Assurez-vous de vérifier la plaque signalétique sur le produit qui peut changer suivant les zones.

ACCESSOIRES STANDARD

- Cléf à béquille (pour fixer la lame de coupe) 1
 - Jauge de fixation (pour le réglage de la hauteur de lame) 1
 - Guide (avec vis de fixation) 1
 - Dispositif d'affûtage de la lame (pour les lames de type réaffûtable) 1
 - Boîtier (non fourni dans toutes les zones) 1
- Les accessoires standard sont sujets à changement sans préavis.

ACCESSOIRES A OPTION (vedus séparément)

- Adaptateur anti-poussières
 - Coude
 - Sac à poussière
- Les accessoires à option sont sujets à changement sans préavis.

APPLICATIONS

- Rabotage de différents madriers et panneaux en bois. (Voir Fig. 1-4)

AVANT LA MISE EN MARCHÉ

- Source de puissance**
S'assurer que la source de puissance à utiliser correspond à la puissance indiquée sur la plaque signalétique du produit.
- Interrupteur de puissance**
S'assurer que l'interrupteur de puissance est en position ARRÊT.
Si la fiche est branchée alors que l'interrupteur est sur MARCHÉ, l'outil démarre immédiatement et peut provoquer un grave accident.

3. Fil de rallonge

Lorsque la zone de travail est éloignée de la source de puissance, utiliser un fil de rallonge d'une épaisseur suffisante et d'une capacité nominale suffisante. Le fil de rallonge doit être aussi court que possible.

- Préparer un support stable en bois pour le rabotage. Comme un support mal équilibré peut créer un danger, s'assurer qu'il est fermement positionné sur un sol plat et dur.

5. RCD

Il est recommandé de toujours utiliser un disjoncteur avec un courant résiduel de 30 mA ou moins.

RABOTAGE

1. Réglage de la profondeur de coupe de la lame

- Tourner le bouton dans la direction indiquée par la flèche à la Fig. 5 (sens des aiguilles d'une montre), jusqu'à ce que la marque triangulaire soit alignée sur la profondeur de coupe souhaitée sur l'échelle. L'échelle est graduée en millimètres.

- La profondeur de coupe peut être réglée de 0-2,6 mm.

2. Coupe de surface

La taille grosse doit se faire avec une importante profondeur de coupe et à une vitesse convenable de manière à ce que les copeaux soient éjectés doucement de la machine. Pour obtenir une surface finie lisse, la finition de la coupe doit se faire à une faible profondeur et à une vitesse faible.

3. Commencement et fin de l'opération de coupe

Suivant la Fig. 6, placer la base avant du rabot sur la pièce travaillée et supporter le rabot horizontalement. Mettre l'interrupteur sur MARCHÉ et faire fonctionner lentement le rabot vers le bord d'attaque de la pièce. Appuyer fermement sur la moitié avant du rabot au début de la coupe et,

suivant la **Fig. 7**, appuyer sur la partie arrière du rabot à la fin de l'opération de coupe. Le rabot doit être tenu plat pendant toute l'opération de coupe.

4. Précaution à prendre à la fin de l'opération de rabotage

Lorsque le rabot est tenu avec une main après la fin de l'opération de rabotage, s'assurer que les lames de coupe (base) du rabot ne sont pas en contact avec votre corps ou ne l'approchent pas de trop. Il y a sinon risque d'accident grave.

5. Fixation du cordon

Une fixation pour cordon est prévue à l'arrière de la poignée, derrière le point de sortie du cordon. Clipsez le cordon sur la fixation du côté gauche ou droit, selon le plus pratique pour vous. (**Fig. 8**)

6. Support

Soulevez l'arrière du rabot pour déplier le pied à partir de la base. Le fait de déplier le pied permet de poser le rabot à plat pour empêcher le contact entre la lame et le matériau. (**Fig. 9**)

MONTAGE ET DEMONTAGE DE LA LAME AU CARBURE ET RÉGLAGE DE LA HAUTEUR DE LA LAME AU CARBURE (POUR LES LAMES À DEUX TRANCHANTS)

1. Démontage de la lame au carbure

- (1) Comme indiqué à la **Fig. 10**, desserrer le support de lame à l'aide de la clé à bécuille fournie.
- (2) Comme indiqué à la **Fig. 11**, retirer la lame au carbure en la glissant à l'aide de la clé à bécuille fournie.

ATTENTION

Attention de ne pas bleisser vos mains.

2. Montage de la lame au carbure

ATTENTION

Avant l'assemblage, essuyer à fond tous les copeaux accumulés sur la lame au carbure.

- (1) Comme indiqué sur la **Fig. 12**, soulever la plaque de fixation (B) et insérer la nouvelle lame au carbure entre le bloc de lame et la plaque de fixation (B).
- (2) Comme indiqué à la **Fig. 13**, monter la nouvelle lame de coupe en la glissant sur la plaque de fixation (B) de façon que l'extrémité de la lame dépasse de 1 mm de l'extrémité du bloc de lame.
- (3) Comme indiqué à la **Fig. 14**, fixer les boulons sur le support de lame lorsque, le remplacement de la lame est maintenant terminé.
- (4) Retourner le bloc de coupe, et régler l'autre côté de la même manière.

3. Réglage de la hauteur de la lame au carbure

ATTENTION

Si la hauteur de la lame au carbure n'est pas exacte après les procédures ci-dessus, effectuer les opérations indiquées ci-dessous.

- (1) Comme indiqué à la **Fig. 15**, desserrer les trois boulons de fixation de la lame au carbure à l'aide de la clé à bécuille, et retirer le support de lame.
- (2) Comme indiqué à la **Fig. 16**, après avoir retiré la lame au carbure, glisser la plaque de fixation (B) dans le sens de la flèche pour démonter la plaque de fixation (B).
- (3) Desserrer les 2 vis de fixation de la lame au carbure, puis la plaque de fixation (A) et la plaque de fixation (B).

- (4) Comme indiqué aux **Fig. 17** et **18**, appuyer la face tournée de la plaque de fixation (A) sur la surface du mur b tout en ajustant le tranchant de la lame de coupe sur la surface du mur a de la jauge de fixation. Puis, serrer avec les 2 vis.
- (5) Comme indiqué aux **Fig. 19** et **20**, insérer la section tournée de la plaque de fixation (A) fixée à la plaque de fixation (B) dans une encoche de la section plate du bloc de lame.
- (6) Comme indiqué à la **Fig. 21**, placer le support de lame sur l'ensemble terminé et le serrer avec les trois boulons. Veiller à bien serrer les boulons à fond. Procéder de la même façon pour le côté opposé de la lame au carbure.

INSTALLATION ET RETRAIT DE LA LAME ET RÉGLAGE DE LA HAUTEUR DE LAME (POUR LES LAMES DE TYPE RÉAFFÛTABLE)

1. Retrait de la lame

- (1) Comme indiqué à la **Fig. 15**, utiliser la clé à bécuille fournie en accessoire pour desserrer les trois boulons de fixation de la lame, et retirer le support de lame.
- (2) Comme indiqué à la **Fig. 16**, glisser le support de lame dans le sens de la flèche pour retirer la lame.

ATTENTION

Attention de ne pas bleisser vos mains.

2. Installation de la lame

ATTENTION

Avant d'installer la lame, bien essuyer toutes les ébarbures accumulées sur la lame.

- (1) Insérer la section tournée de la plaque de fixation (A) fixée à la lame dans une encoche de la section plate du bloc de lame. (**Fig. 19** et **22**)
Fixer la lame de façon que les deux côtés de la lame dépassent de la largeur du bloc de lame d'environ 1 mm. (**Fig. 23**)
- (2) Placer le support de la lame sur l'ensemble terminé suivant la **Fig. 24**, et fixer le avec les trois boulons. S'assurer que les boulons sont correctement serrés.
- (3) Retourner le bloc de coupe, et régler le côté opposé de la même manière.

3. Réglage de la hauteur de lame

- (1) Desserrer les 2 vis de fixation de la lame et la plaque de fixation (A).
- (2) Appuyer la surface tournée de la plaque de fixation (A) sur la surface du mur b tout en ajustant le tranchant de la lame de coupe sur la surface du mur a de la jauge de fixation. Puis, les serrer avec les 2 vis. (**Fig. 17** et **25**)

AFFÛTAGE DES LAMES REAFFÛTABLE

A des fins de commodité, il est recommandé d'utiliser l'ensemble d'affûtage de lame accessoire.

1. Utilisation du dispositif d'affûtage des lames

Comme indiqué à la **Fig. 26**, il est possible de monter les deux lames sur l'ensemble d'affûtage de lame pour garantir que l'extrémité des lames sera meulée à un angle uniforme. Pendant le meulage, régler la position des lames de façon que leurs tranchants entrent simultanément en contact avec la pierre de finissage, comme indiqué à la **Fig. 27**.

2. Intervalle d'affûtage des lames

L'intervalle d'affûtage des lames dépend du type de bois que l'on travaille et de la profondeur de coupe. Néanmoins, d'une manière générale, il faudra affûter les lames tous les 500 mètres d'opération de coupe.

3. Pierre de finissage

Si l'on dispose d'une pierre de finissage à l'eau, l'utiliser après l'avoir suffisamment enfoncée dans l'eau, car ce genre de pierre de finissage risque de s'user pendant le meulage, et enfoncer la surface supérieure de la pierre de finissage aussi souvent que cela est nécessaire.

FIXATION ET RETRAIT DE L'ADAPTEUR ANTI-POUSSIÈRE (ACCESSOIRE EN OPTION)

ATTENTION

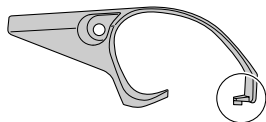
- Pour éviter tout accident, vérifiez que l'outil électrique est hors tension et que la prise est débranchée de la source d'alimentation.
- Appliquez la procédure ci-dessous pour installer correctement l'adaptateur anti-poussière. L'adaptateur risque sinon de se détacher et de provoquer une blessure.

1. Fixation de l'adaptateur anti-poussière

- (1) Retirez les vis D4 × 16 de l'écran anti-copeaux et retirez l'écran anti-copeaux comme cela est indiqué sur la Fig. 28.
- (2) Montez l'adaptateur anti-poussière et fixez-le à l'aide des vis D4 × 16. (Fig. 29)

REMARQUE:

Veillez à ne pas casser le loquet lors de la fixation ou du retrait de l'adaptateur anti-poussière et de l'écran à copeaux.



2. Retrait de l'adaptateur anti-poussière

Pour retirer l'adaptateur pour la collecte de poussière, suivez la procédure indiquée plus haut, dans l'ordre inverse.

ENTRETIEN ET INSPECTION

1. Contrôle des lames

L'utilisation continue de lames usées ou abîmées peut conduire à une réduction de l'efficacité de coupe et provoquer une surcharge du moteur. Affûter ou remplacer les lames aussi souvent que possible.

2. Maniement

ATTENTION

La base avant, la base arrière et le bouton de commande de la profondeur de coupe sont usinés de manière précise afin d'obtenir une précision spécialement élevée. Si ces pièces sont maniées brutalement ou soumises à des chocs mécaniques importants, il peut en résulter une diminution de la précision et une réduction de l'efficacité de coupe. Ces parties doivent être maniées avec le plus grand soin.

3. Contrôle des vis de montage

Vérifier régulièrement les vis de montage et s'assurer qu'elles sont correctement serrées. Resserrer immédiatement toute vis desserrée. Sinon, il y a danger sérieux.

4. Contrôle des balais en carbone (Fig. 30)

Le moteur utilise des balais en carbone qui sont des pièces qui s'usent.

Comme un balai en carbone trop usé peut détériorer le moteur, le remplacer par un nouveau du même No. que celui montré à la figure quand il est usé ou à la limite d'usure. En outre, toujours tenir les balais propres et veiller à ce qu'ils coulissent librement dans les supports.

5. Remplacement d'un balai en carbone

Après avoir enlevé le couvercle d'éclats, se servir d'un tournevis ordinaire pour démonter le capuchon des balais. Les balais en carbone peuvent alors s'enlever facilement avec le ressort.

6. Entretien du moteur

Le bobinage de l'ensemble moteur est le "cœur" même de l'outil électro-portatif. Veiller soigneusement à ce que ce bobinage ne soit pas endommagé et/ou mouillé par de l'huile ou de l'eau.

7. Remplacement du cordon d'alimentation

Si le remplacement du cordon d'alimentation s'avère nécessaire, cette opération doit être effectuée par un service après-vente HiKOKI agréé afin d'éviter tout risque d'accident.

8. Liste des pièces de rechange

ATTENTION

Les réparations, modifications et inspections des outils électriques HiKOKI doivent être confiées à un centre de service après-vente HiKOKI agréé.

Il sera utile de présenter cette liste de pièces au centre de service après-vente HiKOKI agréé lorsqu'on apporte un outil nécessitant des réparations ou tout autre entretien.

Lors de l'utilisation et de l'entretien d'un outil électrique, respecter les règlements et les normes de sécurité en vigueur dans le pays en question.

MODIFICATIONS

Les outils électriques HiKOKI sont constamment améliorés et modifiés afin d'incorporer les tous derniers progrès technologiques.

En conséquence, il est possible que certaines pièces soient modifiées sans avis préalable.

GARANTIE

Nous garantissons que l'ensemble des Outils électriques HiKOKI sont conformes aux réglementations spécifiques statutaires/nationales. Cette garantie ne couvre pas les défauts ni les dommages inhérents à une mauvaise utilisation, une utilisation abusive ou l'usure et les dommages normaux. En cas de réclamation, veuillez envoyer l'Outil électrique, en l'état, accompagné du CERTIFICAT DE GARANTIE qui se trouve à la fin du Mode d'emploi, dans un service d'entretien autorisé.

REMARQUE:

Par suite du programme permanent de recherche et de développement HiKOKI, ces spécifications peuvent faire l'objet de modifications sans avis préalable.

Au sujet du bruit et des vibrations

Les valeurs mesurées ont été déterminées en fonction de la norme EN60745 et déclarées conforme à ISO 4871.

Niveau de puissance sonore pondérée A: 94 dB (A)

Niveau de pression acoustique pondérée A: 83 dB (A)

Incertitude K_{pA} : 3 dB (A)

Porter des protections anti-bruit.

Valeurs totales des vibration (somme vectorielle triaxiale) déterminée conformément à EN60745.

Rabotage de bois de conifères:

Valeur d'émission de vibration $a_h = 3,1 \text{ m/s}^2$

Incertitude $K = 1,5 \text{ m/s}^2$

La valeur totale des vibrations a été mesurée par une méthode d'essai standard et peut être utilisée pour comparer un outil à un autre.

Elle peut également être utilisée pour une évaluation préliminaire du niveau d'exposition.

AVERTISSEMENT

- La valeur d'émission de vibration en fonctionnement de l'outil électrique peut être différente de la valeur totale déclarée, en fonction des utilisations de l'outil.
- Identification les mesures de protection de l'utilisateur fondées sur une estimation de l'exposition en conditions d'utilisation (tenant compte de tous les aspects du cycle d'utilisation, tels que les moments où l'outil est mis hors tension ou lorsqu'il tourne à vide en plus des temps de déclenchements).

AVVERTIMENTI GENERALI DI SICUREZZA SUGLI UTENSILI ELETTRICI

⚠ AVVERTENZA

Leggere tutti gli avvertimenti di sicurezza e tutte le istruzioni.

La mancata osservanza degli avvertimenti e delle istruzioni potrebbe essere causa di scosse elettriche, incendi e/o gravi lesioni.

Salvare tutti gli avvertimenti e le istruzioni per riferimenti futuri.

Il termine "elettroutensili" riportato nelle avvertenze si riferisce agli elettroutensili azionati con alimentazione di rete (via cavi) o a batterie (senza cavi).

1) Sicurezza dell'area operativa

a) Mantenere l'area operativa pulita e ordinata.

Aree operative sporche o disordinate possono favorire gli infortuni.

b) Non utilizzare gli elettroutensili in atmosfere esplosive, ad es. in presenza di liquidi, gas o polveri infiammabili.

Gli elettroutensili generano delle scintille che potrebbero accendere la polvere o i fumi.

c) Tenere lontani bambini e astanti durante l'utilizzo degli elettroutensili.

Qualsiasi distrazione può essere causa di perdita di controllo.

2) Sicurezza elettrica

a) Le spine degli elettroutensili devono essere idonee alle prese disponibili.

Non modificare mai le prese.

Con gli elettroutensili a massa (messi a terra), non utilizzare alcun adattatore.

L'utilizzo di spine intatte e corrispondenti alle prese disponibili ridurrà il rischio di scosse elettriche.

b) Evitare qualsiasi contatto con le superfici a massa o a terra, quali tubi, radiatori, fornelli e frigoriferi.

In caso di messa a terra o massa del corpo, sussiste un maggior rischio di scosse elettriche.

c) Non esporre gli elettroutensili alla pioggia o all'umidità.

La penetrazione di acqua negli elettroutensili aumenterà il rischio di scosse elettriche.

d) Non tirare il cavo. Non utilizzarlo per il trasporto, o per tirare o scollegare l'elettroutensile.

Tenere il cavo lontano da fonti di calore, oli, bordi appuntiti o parti in movimento.

Cavi danneggiati o attorcigliati possono aumentare il rischio di scosse elettriche.

e) Durante l'uso degli elettroutensili all'esterno, utilizzare una prolunga idonea per usi esterni.

L'utilizzo di cavi per esterno riduce il rischio di scosse elettriche.

f) Se è impossibile evitare l'impiego di un utensile elettrico in un luogo umido, utilizzare l'alimentazione protetta da un dispositivo a corrente residua (RCD).

L'uso di un RCD riduce il rischio di scosse elettriche.

3) Sicurezza personale

a) Durante l'uso degli elettroutensili, state all'erta, verificate ciò che state eseguendo e adottate sempre il buon senso.

Non utilizzate gli elettroutensili qualora siate stanchi, sotto l'influenza di farmaci, alcol o cure mediche.

Anche un attimo di disattenzione durante l'uso degli elettroutensili potrebbe essere causa di gravi lesioni personali.

b) Indossate l'attrezzatura di protezione personale. Indossate sempre le protezioni oculari.

L'attrezzatura protettiva, quali maschera facciale, calzature antiscivolo, caschi o protezioni oculari ridurrà il rischio di lesioni personali.

c) Impedite le accensioni involontarie. Prima del collegamento a una sorgente di alimentazione e/o pacco batteria e prima di raccogliere o trasportare l'utensile, verificate che l'interruttore sia posizionato su OFF.

Il trasporto degli elettroutensili tenendo le dita sull'interruttore o l'attivazione elettrica degli utensile che hanno l'interruttore su ON, implica il rischio di incidenti.

d) Prima di attivare l'elettroutensile, rimuovete qualsiasi chiave di regolazione.

Lasciando la chiave in un componente in rotazione dell'elettroutensile, sussiste il rischio di lesioni personali.

e) Mantenersi in equilibrio. Mantenersi sempre su due piedi, in equilibrio stabile.

Ciò consente di controllare al meglio l'elettroutensile in caso di situazioni impreviste.

f) Vestirsi in modo adeguato. Non indossare abiti larghi o gioielli. Tenere i capelli, gli abiti e i guanti lontani dalle parti in movimento.

Abiti allentati, gioielli e capelli lunghi potrebbero impigliarsi nelle parti in movimento.

g) In caso di dispositivi provvisti di collegamento ad apparecchiature di rimozione e raccolta polveri, verificare che queste siano collegate e utilizzate in modo adeguato.

L'utilizzo della raccolta della polvere può ridurre i rischi connessi alle polveri.

4) Utilizzo e manutenzione degli elettroutensili

a) Non utilizzare elettroutensili non idonei. Utilizzare l'elettroutensile idoneo alla propria applicazione.

Utilizzando l'elettroutensile corretto, si garantirà un'esecuzione migliore e più sicura del lavoro, alla velocità di progetto.

b) Non utilizzare l'elettroutensile qualora non sia possibile accenderlo/spengerlo tramite l'interruttore.

È pericoloso utilizzare elettroutensili che non possano essere azionati dall'interruttore. Provvedere alla relativa riparazione.

c) Prima di effettuare qualsiasi regolazione, sostituire gli accessori o depositare gli elettroutensili, scollegare la spina dalla presa elettrica e/o il pacco batteria dall'utensile elettrico.

Queste misure di sicurezza preventive riducono il rischio di avvio involontario dell'elettroutensile.

d) Depositare gli elettroutensili non utilizzati lontano dalla portata dei bambini ed evitare che persone non esperte di elettroutensili o non a conoscenza di quanto riportato sulle presenti istruzioni azionino l'elettroutensile.

È pericoloso consentire che utenti non esperti utilizzino gli elettroutensili.

e) Manutenzione degli elettroutensili. Verificare che non vi siano componenti in movimento disallineati o bloccati, componenti rotti o altre condizioni che potrebbero influenzare negativamente il funzionamento dell'elettroutensile.

In caso di guasti, provvedere alla riparazione dell'elettroutensile prima di riutilizzarlo.

Molti incidenti sono causati da una scarsa manutenzione.

f) Mantenere gli strumenti di taglio affilati e puliti.

Gli strumenti di taglio in condizioni di manutenzione adeguata, con bordi affilati, sono meno soggetti al bloccaggio e sono più facilmente controllabili.

g) Utilizzare l'elettroutensile, gli accessori, le barrette, ecc. in conformità a quanto riportato nelle presenti istruzioni, tenendo in debita considerazione le condizioni operative e il tipo di lavoro da eseguire.

L'uso dell'utensile elettrico per operazioni diverse da quelle previste potrebbe causare una situazione pericolosa.

5) Assistenza

a) Affidate le riparazioni dell'elettroutensile a persone qualificate che utilizzino solamente parti di ricambio identiche.

Ciò garantirà il mantenimento della sicurezza dell'elettroutensile.

PRECAUZIONI DI SICUREZZA PER L'USO DELLA PIALLA

1. Aspettare che la taglierina si arresti prima di posare l'utensile.

La taglierina rotante esposta della pialla potrebbe ingranare con la superficie, causando possibili perdite di controllo e quindi, infortuni.

2. **Mantenere l'utensile esclusivamente dalla superficie di presa isolata, poiché la taglierina potrebbe entrare a contatto con il cavo.** Il taglio di fili in tensione potrebbe trasmettere tensione alle parti metalliche esposte dell'utensile, dando una scossa elettrica all'operatore.
3. **Utilizzare dei fermi o altri mezzi pratici per fissare e sostenere il pezzo su una superficie stabile.** Tenere il pezzo con le mani o contro il corpo lo rende instabile e può comportare la perdita di controllo.
4. Non usare il pialletto con le lame rivolte verso l'alto (come una pialla di tipo fisso).

CARATTERISTICHE

Voltaggio (per zona)*	(110 V, 230 V, 240 V) ~
Potenza assorbita	620 W*
Larghezza del taglio	82 mm
Profondità massima di taglio	2,6 mm
Peso (senza cavo e guida)	2,5 kg
Velocità senza carico	17000 min ⁻¹

* Accertatevi di aver controllato bene la piastrina perché essa varia da zona a zona.

ACCESSORI STANDARD

1. Chiave fissa a collare (per fissare la lama della pialla) 1
 2. Calibro di impostazione (per regolare l'altezza della taglierina) 1
 3. Guida (con vite di fissaggio) 1
 4. Complesso per affilare le lame (per la lama di tipo riaffilabile) 1
 5. Contenitore (non fornito in tutte le aree) 1
- Gli accessori standard possono essere soggetti a cambiamento senza preavviso.

ACCESSORI DISPONIBILI A RICHIESTA (venduti separatamente)

1. Adattatore polvere
 2. Gomito
 3. Sacchetto raccogli-polvere
- Gli accessori disponibili a richiesta possono essere soggetti a cambiamento senza preavviso.

IMPIEGHI

- Piallare tavole e pannelli vari in legno. (Vds. Fig. 1-4)

PRIMA DELL'USO

1. Alimentazione

Assicurarsi che la rete di alimentazione che si vuole usare sia compatibile con le caratteristiche relative all'alimentazione di corrente specificate nella piastrina dell'apparecchio.

2. Interruttore di corrente

Mettere l'interruttore in posizione SPENTO. Se la spina è infilata in una presa mentre l'interruttore è acceso, l'utensile elettrico si mette immediatamente in moto, facilitando il verificarsi di incidenti gravi.

3. Prolunga del cavo

Quando l'ambiente di lavoro è lontano da una presa di corrente, usare una prolunga del cavo di sufficiente spessore e di prestazione adeguata.

La prolunga deve essere più corta possibile.

4. Preparare un banco di lavoro in legno, stabile e adatto a lavori di piallatura. Poiché un banco di lavoro scarsamente bilanciato crea pericolo, fare in modo che esso sia poggiato su un piano stabile e livellato.

5. RCD

Si raccomanda di usare sempre un interruttore differenziale con una potenza nominale di 30mA o meno.

COME SI PIALLA

1. Regolazione della profondità della pialla

- (1) Girare la manopola nel senso indicato dalla freccia nella Fig. 5 (senso orario), fino a che il segno triangolare sia allineato con la profondità di piallatura desiderata, segnata sulla scala graduata. L'unità della scala è graduata in millimetri.
- (2) La profondità di piallatura può essere regolata tra 0 e 2,6 mm.

2. Piallatura di superfici

La sgrassatura deve essere fatta con una profondità di piallatura elevata ed una appropriata velocità in modo che i trucioli siano facilmente spulsi dalla macchina. Per ottenere una superficie rifinita e liscia, la piallatura di rifinitura deve essere eseguita con una profondità limitata ed a bassa velocità.

3. Inizio e termine dell'operazione di piallatura

Come indicato nella Fig. 6, mettere la parte anteriore della base del pialletto sul pezzo da lavorare e tenere il pialletto orizzontale. Accendere l'interruttore della messa in moto (posiz. ON) e manovrare leggermente il pialletto verso il bordo di guida del pezzo da lavorare. Premere forte la metà anteriore del pialletto nella prima fase della piallatura, come indicato nella Fig. 7 e premere forte la metà posteriore del pialletto alla fine dell'operazione di piallatura. Il pialletto deve essere sempre tenuto piatto durante tutta l'operazione di piallatura.

4. Precauzione da prendere al termine dell'operazione di piallatura

Quando il pialleto è sospeso con una mano, dopo aver ultimato l'operazione di piallatura, fate attenzione a che le lame (la base) del pialleto non vengano a contatto o si avvicinino troppo al vostro corpo. In caso contrario si potrebbe verificare una grave lesione.

5. Porta-cavo

Sul retro della maniglia, inferiormente al punto di attacco del cavo è previsto un porta-cavo. Agganciare il cavo nel porta-cavo da destra o da sinistra a seconda del lato in cui si desidera avere il cavo. (Fig. 8)

6. Supporto

Sollevare la parte posteriore della pialla per estendere il piede dalla base. L'estensione del supporto quando la pialla è appoggiata impedisce il contatto tra la lama e il materiale. (Fig. 9)

SMONTAGGIO E MONTAGGIO DELLA PIALLA E REGOLAZIONE DELLA ALTEZZA DELLA LAMA (PER LA LAMA DI TIPO A DOPPIO FILO)

1. Smontaggio della lama in carburo

- (1) Come mostrato nella Fig. 10, allentare il porta-lama con la chiave fissa a collare in dotazione.
- (2) Come mostrato nella Fig. 11, rimuovere la lama della taglierina facendola scorrere con la chiave fissa a collare in dotazione.

ATTENZIONE

Fare attenzione a non ferirsi le mani.

2. Montaggio della lama in carburo

ATTENZIONE

Prima di montare la lama, togliere completamente tutta la segatura accumulata sulla lama in carburo.

- (1) Come mostrato nella Fig. 12, sollevare la piastra di impostazione (B) e inserire la nuova lama in carburo tra il blocco taglierina e la piastra di impostazione (B).
- (2) Come mostrato nella Fig. 13, montare la nuova lama in carburo facendola scorrere sulla piastra di impostazione (B) in modo che la punta della lama sporga di 1 mm dall'estremità del blocco taglierina.
- (3) Come mostrato nella Fig. 14, fissare i bulloni sul porta-lama dopo che la sostituzione della lama è stata completata.
- (4) Girare sottosopra in blocco nella pialla e montare l'altro lato allo stesso modo.

3. Regolazione dell'altezza della lama in carburo

ATTENZIONE

Se l'altezza della lama in carburo non è accurata dopo che sono stati completati i procedimenti sopra, eseguire i procedimenti descritti di seguito.

- (1) Come mostrato nella Fig. 15, usare la chiave fissa a collare per allentare i tre bulloni usati per trattenere la lama in carburo e rimuovere il porta-lama.
- (2) Come mostrato nella Fig. 16, Dopo aver rimosso la lama in carburo, far scorrere la piastra di impostazione (B) nella direzione indicata dalla freccia per smontare la piastra di impostazione (B).
- (3) Allentare le due viti che trattengono la lama in carburo e la piastra di impostazione (A), piastra di impostazione (B).

- (4) Come mostrato nella Fig. 17, 18, premere la superficie curva della piastra di impostazione (A) sulla superficie parete b regolando il bordo della lama in carburo sulla superficie parete a del calibro di impostazione. Quindi serrare con le 2 viti.
- (5) Come mostrato nella Fig. 19, 20, inserire una parte curva della piastra di impostazione (A) applicata alla piastra di impostazione (B) in una scanalatura della parte piatta del blocco taglierina.
- (6) Come mostrato nella Fig. 21, collocare il porta-lama sull'insieme completato e fissarlo con tre bulloni. Assicurarsi che i bulloni siano serrati saldamente. Seguire gli stessi procedimenti per la lama in carburo del lato opposto.

SMONTAGGIO E SMONTAGGIO DELLA LAMA E REGOLAZIONE DELL'ALTEZZA DELLA LAMA (PER LA LAMA DI TIPO RIAFFILABILE)

1. Smontaggio della lama

- (1) Come mostrato nella Fig. 15, usare la chiave fissa a collare in dotazione per allentare i tre bulloni che trattengono la lama e rimuovere il porta-lama.
- (2) Come mostrato nella Fig. 16, far scorrere la lama nella direzione indicata dalla freccia per smontare la lama.

ATTENZIONE

Fare attenzione a non ferirsi le mani.

2. Montaggio della lama

ATTENZIONE

Prima di montare, pulire bene tutto lo sporco accumulato sulla lama.

- (1) Inserire la parte curva della piastra di impostazione (A) applicata alla lama in una scanalatura sulla parte piatta del blocco taglierina. (Fig. 19, 22)
Collocare la lama in modo che entrambi i lati della lama sporgano di circa 1 mm dall'ampiezza del blocco taglierina. (Fig. 23)
- (2) Mettere il porta-lama sulle parti già montate, come indicato nella Fig. 24 e fissarlo con i tre bulloni. Serrare bene i tre bulloni.
- (3) Girare sottosopra in blocco nella pialla e montare il lato opposto allo stesso modo.

3. Regolazione dell'altezza della lama

- (1) Allentare le 2 viti che trattengono la lama e la piastra di impostazione (A).
- (2) Premere la superficie curva della piastra di impostazione (A) sulla superficie parete b regolando il bordo della lama sulla superficie parete a del calibro di impostazione. Quindi serrare con le 2 viti. (Fig. 17, 25)

AFFILATURA DELLE LAME RIAFFILABILI

Si consiglia di usare il corredo di affilatura lame accessorio per comodità.

1. Uso del corredo di affilatura lame

Come mostrato nella Fig. 26, due lame possono essere montate sul corredo di affilatura lame per assicurare che le punte delle lame siano affilate ad angolazioni uniformi. Durante la molatura, regolare la posizione delle lame in modo che i loro bordi tocchino simultaneamente la mola come mostrato nella Fig. 27.

2. Intervalli di affilatura lame

Gli intervalli di affilatura lame dipendono dal tipo di legno tagliato e dalla profondità di taglio. Tuttavia l'affilatura in generale va eseguita ogni 500 metri di operazione di taglio.

3. Mola

Quando è disponibile una mola ad acqua, usarla dopo averla inumidita a sufficienza perché tali mole possono essere consumate durante l'affilatura. Appiattare la superficie della mola ogni volta che è necessario.

FISSAGGIO E RIMOZIONE DELL'ADATTATORE POLVERE (ACCESSORIO OPZIONALE)

ATTENZIONE

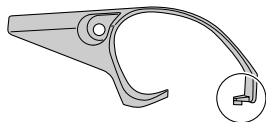
- Per evitare incidenti, assicurarsi che l'utensile sia spento e che il cavo sia scollegato dall'alimentazione.
- Attenersi alla procedura seguente per montare l'adattatore polvere in modo sicuro. La mancata osservanza di questa procedura può causare il distacco dell'adattatore e conseguenti lesioni.

1. Fissaggio dell'adattatore polvere

- (1) Rimuovere la vite D4 x 16 del coperchio trucioli e il coperchio trucioli, come mostrato in **Fig. 28**.
- (2) Montare l'adattatore polvere e fissarlo con la vite D4 x 16. (**Fig. 29**)

NOTA:

Fare attenzione a non danneggiare il fermo durante il fissaggio e la rimozione dell'adattatore polvere e del coperchio trucioli.



2. Rimozione dell'adattatore polvere

Per rimuovere l'adattatore polvere, seguire la suddetta procedura in ordine inverso.

MANUTENZIONE E CONTROLLI

1. Controllo delle lame

L'uso continuativo di lame logore o danneggiate provoca una riduzione nell'efficacia della piallatura e può causare un sovraccarico del motore. Affilare o sostituire le lame ogni qualvolta sia necessario.

2. Maneggio

ATTENZIONE

Il basamento anteriore, quello posteriore e la manopola di regolazione della profondità del taglio sono prodotti con precisione, per ottenere una precisione specificatamente elevata. Se queste componenti sono maneggiate rudemente o soggette a pesante impatto meccanico, ne può risultare una minore precisione ed una ridotta prestazione nella piallatura. Queste parti devono essere trattate con cura particolare.

3. Controllo delle viti di tenuta

Controllare regolarmente tutte le viti di tenuta e assicurarsi che siano esclusivamente serrate. Nel caso che una di queste viti dovesse allentarsi riserrarla immediatamente. Se ciò non avviene si può causare una grave incidente.

4. Controllo della spazzola di carbone (Fig. 30)

Il motore fa uso di una spazzola di carbone, la quale con il tempo si consuma.

La spazzola eccessivamente consumata può causare dei danni; quindi bisogna sostituirla con una nuova, dello stesso numero indicato nella figura, non appena è consumata o è vicina al limite di usura. Inoltre bisogna mantenere la spazzola sempre pulita e controllare che si sposti liberamente sul portaspazzola.

5. Sostituzione di una spazzola di carbone

Dopo aver rimosso il raccoglitrucioli, usare un cacciavite a testa piatta per smontare il contenitore di spazzola. Dopodiché la spazzola di carbone potrà essere rimossa facilmente assieme alla molla.

6. Manutenzione del motore

L'avvolgimento del motore il vero e proprio "cuore" degli attrezzi elettrici. Fare attenzione a non danneggiare l'avvolgimento e/o non bagnarlo con olio o acqua.

7. Sostituzione del cavo di alimentazione

Se è necessario sostituire il cavo d'alimentazione, la sostituzione deve essere eseguita da un centro assistenza autorizzato HiKOKI per prevenire pericoli relativi alla sicurezza.

8. Lista dei pezzi di ricambio

CAUTELA

Riparazioni, modifiche e ispezioni di utensili elettrici HiKOKI devono essere eseguite da un centro assistenza autorizzato HiKOKI.

Questa lista dei pezzi torna utile se viene presentata con l'utensile al centro assistenza autorizzato HiKOKI quando si richiedono riparazioni o altri interventi di manutenzione.

Nell'uso e nella manutenzione degli utensili elettrici devono essere osservate le normative di sicurezza e i criteri prescritti in ciascun paese.

MODIFICHE

Gli utensili elettrici HiKOKI vengono continuamente migliorati e modificati per includere le più recenti innovazioni tecnologiche.

Di conseguenza, alcuni pezzi possono essere modificati senza preavviso.

GARANZIA

Garantiamo gli Utensili Elettrici HiKOKI in conformità alle specifiche normative imposte dalla legge e dai paesi. Questa garanzia non copre difetti o danni dovuti a uso erraneo, abuso o normale usura. In caso di lamentele, si prega di inviare l'Utensile Elettrico, non smontato, insieme al CERTIFICATO DI GARANZIA che si trova al termine di queste Istruzioni per l'uso, ad un Centro di Assistenza Autorizzato HiKOKI.

NOTA

A causa del continuo programma di ricerca e sviluppo della HiKOKI, le caratteristiche riportate in questo foglio sono soggette a cambiamenti senza preventiva comunicazione.

Informazioni riguardanti i rumori trasmessi dall'aria e le vibrazioni

I valori misurati sono stati determinati in conformità a EN60745 e descritti in conformità alla normativa ISO 4871.

Livello misurato di potenza sonora pesato A: 94 dB (A)

Livello misurato di pressione sonora pesato A: 83 dB (A)

KpA incertezza: 3 dB (A)

Indossare i dispositivi di protezione acustica.

Valori totali di vibrazione (somma vettori triass.) determinati secondo la norma EN60745.

Piallatura di legno dolce:

Valore di emissione vibrazioni $a_h = 3,1 \text{ m/s}^2$

Incertezza K = 1,5 m/s^2

Il valore totale di emissione vibrazioni dichiarato è stato misurato in base al metodo di test standard e può essere utilizzato per confrontare un utensile con un altro.

Può essere inoltre utilizzato per la stima preliminare dell'esposizione.

AVVERTENZA

- Il valore di emissione vibrazioni durante l'uso effettivo dell'utensile può essere diverso dal valore totale dichiarato in base alle modalità di utilizzo dell'utensile stesso.
- Identificare le misure di sicurezza per la protezione dell'operatore basate su stima dell'esposizione nelle effettive condizioni di utilizzo (prendendo in considerazione tutte le parti del ciclo di funzionamento come i tempi in cui l'utensile resta spento e quando funziona senza essere utilizzato in aggiunta al tempo di avvio).

ALGEMENE VEILIGHEIDSWAARSCHUWINGEN VOOR ELEKTRISCH GEREEDSCHAP

⚠ WAARSCHUWING

Lees alle waarschuwingen en instructies aandachtig door.

Nalating om de waarschuwingen en instructies op te volgen kan in een elektrische schok, brand en/of ernstig letsel resulteren.

Bewaar alle waarschuwingen en aanwijzingen voor eventuele naslag in de toekomst.

De term "elektrisch gereedschap" heeft zowel betrekking op elektrisch gereedschap dat via de netvoeding van stroom wordt voorzien als gereedschap dat via een accu (snoerloos) van stroom wordt voorzien.

1) Veiligheid van de werkplek

- Zorg voor een schone en goed verlichte werkplek.**
Een rommelige of donkere werkplek verhoogt de kans op ongelukken.
- Gebruik het elektrisch gereedschap niet in een omgeving met ontplofbare vloeistoffen, gassen of stof.**
Elektrisch gereedschap kan vonken afgeven. Deze vonkjes kunnen stofdeeltjes of gassen doen ontbranden.
- Houd kinderen en andere toeschouwers tijdens het gebruik van elektrische gereedschap uit de buurt.**
Afleidingen kunnen gevaarlijk zijn.

2) Elektrische veiligheid

- De stekker op het elektrische gereedschap moet geschikt zijn voor aansluiting op de wandcontactdoos.**
De stekker mag op geen enkele manier gemodificeerd worden. Gebruik geen verloopstekker met geaard elektrisch gereedschap. Deugdelijke stekkers en geschikte wandcontactdozen verminderen het risico op een elektrische schok.
- Vermijd lichamelijk contact met geaarde oppervlakken zoals leidingen, radiatoren, fornuizen en koelkasten.**
Wanneer uw lichaam in contact staat met geaarde oppervlakken loopt u een groter risico op een elektrische schok.
- Stel het elektrisch gereedschap niet bloot aan regen of vochtige omstandigheden.**
Het risico op een elektrische schok wordt vergroot wanneer er water in het elektrisch gereedschap terecht komt.
- Behandel het snoer voorzichtig. Draag het gereedschap nooit door dit bij het snoer vast te houden. Trek niet aan het snoer wanneer u de stekker uit het stopcontact wilt halen.**
Houd het snoer uit de buurt van warmtebronnen, olie, scherpe randen of bewegende onderdelen. Een beschadigd of verward snoer verhoogt het risico op een elektrische schok.
- Gebruik buitenshuis een verlengsnoer dat specifiek geschikt is voor het gebruik buiten.**
Het gebruik van een snoer dat specifiek geschikt is voor gebruik buitenshuis vermindert het risico op een elektrische schok.
- Als het elektrisch gereedschap in een vochtige omgeving gebruikt moet worden, dient een voeding met RCD (reststroom-apparaat) beveiliging te worden gebruikt.**
Gebruik van een RCD vermindert de kans op een elektrische schok.

3) Persoonlijke veiligheid

- Blijf waakzaam, let voortdurend op uw werk en gebruik uw gezond verstand wanneer u elektrisch gereedschap gebruikt.**
Gebruik geen elektrisch gereedschap wanneer u moe bent of onder invloed van drugs, alcohol of medicijnen. Een moment van onoplettendheid kan in ernstig lichamelijk letsel resulteren.
- Gebruik persoonlijke beschermingsmiddelen. Draag altijd oogbescherming.**
Beschermingsmiddelen zoals stofmaskers, niet-glijdende veiligheidsschoenen, een helm of oorbescherming vermindert het risico op lichamelijk letsel.
- Voorkom dat het gereedschap per ongeluk kan starten. Controleer of de schakelaar in de uit-stand staat voordat u de voeding en/of de accu aansluit, het gereedschap oppakt of gaat dragen.**

Zorg ervoor dat u tijdens het verplaatsen van het elektrisch gereedschap uw vingers uit de buurt van de schakelaar houdt en sluit de stroombron niet aan terwijl de schakelaar op aan staat om ongelukken te vermijden.

- Verwijder sleutels en moersleutels uit het gereedschap voordat u het elektrisch gereedschap aanzet.**
Een (moer-)sleutel die op een bewegend onderdeel van het elektrisch gereedschap bevestigd is kan in lichamelijk letsel resulteren.
 - Reik niet te ver. Zorg ervoor dat u te allen tijde stevig staat en uw evenwicht behoudt.**
Op deze manier heeft u tijdens een onverwachte situatie meer controle over het elektrisch gereedschap.
 - Draag geen loszittende kleding of sieraden. Houd uw haar, kleding en handschoenen uit de buurt van bewegende onderdelen.**
Loszittende kleding, sieraden en lang haar kunnen in de bewegende onderdelen verstrikt raken.
 - Indien het elektrisch gereedschap van een aansluiting voor stofafzuiging is voorzien dan dient u ervoor te zorgen dat de stofafzuiging aangesloten en op de juiste manier gebruikt wordt.**
Het gebruik van stofafzuiging vermindert eventuele stofgerelateerde risico's.
- #### 4) Bediening en onderhoud van elektrisch gereedschap
- Het elektrisch gereedschap mag niet geforceerd worden. Gebruik het juiste gereedschap voor het karwei.**
U kunt de klus beter en veiliger uitvoeren wanneer u het juiste elektrische gereedschap gebruikt.
 - Gebruik het elektrisch gereedschap niet als de schakelaar niet goed werkt.**
Elektrisch gereedschap dat niet via de schakelaar bediend kan worden is gevaarlijk en moet onmiddellijk gerepareerd worden.
 - Haal de stekker uit het stopcontact voordat u de voeding en/of de accu van het elektrisch gereedschap losmaakt, afstellingen verricht, accessoires verwisselt of voordat u het elektrisch gereedschap opbergt.**
Dergelijke preventieve veiligheidsmaatregelen verminderen het risico dat het elektrisch gereedschap per ongeluk opstart.
 - Berg elektrisch gereedschap buiten het bereik van kinderen op en sta niet toe dat personen die niet bekend zijn met het juiste gebruik van het gereedschap of deze voorschriften dit elektrisch gereedschap gebruiken.**
Elektrisch gereedschap is gevaarlijk in onbevoegde handen.
 - Het elektrisch gereedschap moet regelmatig onderhouden worden. Controleer het gereedschap op een foutieve uitlijning, vastgelopen of defecte bewegende onderdelen en andere problemen die van invloed zijn op de juiste werking van het gereedschap.**
Indien het gereedschap defect of beschadigd is moet het gerepareerd worden voordat u het gereedschap opnieuw gebruikt. Slecht onderhouden elektrisch gereedschap is verantwoordelijk voor een groot aantal doe-het-zelf ongelukken.
 - Houd snijwerktuigen scherp en schoon.**
Goed onderhouden snijwerktuigen met scherpe snijranden lopen minder snel vast en zijn gemakkelijker in het gebruik.
 - Elektrisch gereedschap, toebehoren, bits enz. moeten in overeenstemming met deze instructies worden gebruikt waarbij de werkomstandigheden en het werk in overweging moeten worden genomen.**
Gebruik van het elektrisch gereedschap voor andere doeleinden dan waarvoor het is bedoelt, kan resulteren in een gevaarlijke situatie.
- #### 5) Onderhoudsbeurt
- Het gereedschap mag uitsluitend door bevoegd onderhoudspersoneel worden onderhouden die authentieke onderdelen gebruikt.**
Hierdoor kunt u erop aan dat de veiligheid van het elektrisch gereedschap behouden blijft.

VEILIGHEIDSWAARSCHUWINGEN VOOR DE SCHAAFMACHINE

1. Wacht totdat het schaafmes tot stilstand is gekomen voordat u het gereedschap neerlegt.

Een blootgesteld draaiend schaafmes kan in contact komen met de oppervlakte met mogelijk controleverlies en ernstig persoonlijk letsel tot gevolg.

2. Pak het elektrisch alleen bij de geïsoleerde handgreep vast, want het mes kan in contact komen met het eigen snoer. Bij het doorsnijden van een draad die onder "spanning" staat, kunnen blootgestelde metalen onderdelen van het elektrisch gereedschap onder "spanning" komen te staan wat kan resulteren in een elektrische schok voor de gebruiker.
3. Gebruik klemmen of iets dergelijks om het werkstuk op een stevige ondergrond te bevestigen en te ondersteunen. Wanneer u het werkstuk met uw hand vasthoudt of tegen uw lichaam aandrukt, is dit niet stabiel wat kan leiden tot controleverlies.
4. De schaafmachine niet met het mes naar boven gebruiken (zoals bij een stationair type).

TECHNISCHE GEGEVENS

Voltage (verschillend van gebied tot gebied)*	(110 V, 230 V, 240 V) ~
Opgenomen vermogen	620 W*
Schaafbreedte	82 mm
Max. spaandikte	2,6 mm
Gewicht (zonder kabel en voring)	2,5 kg
Toerental onbelast	17000 min ⁻¹

* Controleer het naamplaatje op het apparaat daar het apparaat afhankelijk van het gebied waar het verkocht wordt gewijzigd kan worden.

STANDAARD TOEBEHOREN

1. Steeksleutel (om het schaafmes vast te draaien) ... 1
 2. Stel meter in (voor instellen van snijhoogte) 1
 3. Geleider (met stelschroef) 1
 4. Slijpinrichting voor het mes (Voor slijpbaar mes) 1
 5. Koffer (wordt niet in alle landen bijgeleverd) 1
- De standaard toebehoren kunnen zonder aankondiging op ieder moment worden veranderd.

EXTRA TOEBEHOREN (los te verkrijgen)

1. Stofadapter
2. Elleboogstuk
3. Stofzak

De extra toebehoren kunnen zonder aankondiging op ieder moment worden veranderd.

TOEPASSINGSGEBIEDEN

- Het schaven van verschillende houten planken en panelen. (Afb. 1-4)

VOOR BEGIN VAN HET WERK

1. Netspanning

Controleren of de netspanning overeenkomt met de opgave op het naamplaatje.

2. Netschakelaar

Controleren of de netschakelaar op "UIT" staat. Wanneer de stekker op het net aangesloten is, terwijl de schakelaar op "AAN" staat, begint het gereedschap onmiddellijk te draaien, hetwelk ernstig gevaar betekent.

3. Verlengsnoer

Wanneer het werkteerein niet in de buurt van een stopcontact ligt, dan moet men gebruik maken van een verlengsnoer, dat voldoende dwarsprofiel en voldoende nominaal vermogen heeft. Het verlengsnoer moet zo kort mogelijk gehouden worden.

4. Er moet een stabiele houten ondergrond vervaardigd worden, welke geschikt is voor schaaftwerkzaamheden. Een slecht uitgebalanceerde ondergrond kan gevaar veroorzaken en er moet op gelet worden, dat het op een stevige, vlakke vloer veilig is opgesteld.

5. RCD

Het gebruik van een reststroomapparaat met een nominale reststroom van 30 mA of minder wordt aanbevolen.

SCHAAFWERKZAAMHEDEN

1. Het instellen van de spaandikte

- (1) De knop wordt in de door de pijl in Afb. 5 (met de klok mee) aangeduide richting gedraaid, totdat het driehoekige teken op de schaal op de gewenste spaandikte wijst. De schaal is ingedeeld in mm.
- (2) De spaandikte in een bereik van 0-2,6 mm, worden ingesteld.

2. Het schaven van oppervlakten

Het grofschaven moet uitgevoerd worden met grote spaandikte en een geschikte snelheid, zodat de schaaftspanen gelijkmatig uit de machine geworpen worden. Om een glad oppervlak te verkrijgen moet het naschaven uitgevoerd worden met een geringere spaandikte en lagere snelheid.

- 3. Begin en einde van de schaaferkzaamheden**
Zoals aangetoond in **Afb. 6**, wordt het voorste gedeelte van de schaafer op het werkstuk gezet en horizontaal gesteund. De motor wordt aangeschakeld en men schuift de schaafer langzaam naar de kant van het werkstuk. Het voorste gedeelte van de schaafer wordt bij begin van het schaven, zoals aangetoond in **Afb. 7**, er stevig opgedrukt, terwijl bij het einde van het schaaferwerk de achterste helft van de schaafer er stevig opgedrukt wordt. De schaafer moet tijdens het totale schaaferwerk vlak gehouden worden.
- 4. Voorzichtig, ook na beëindiging van het schaaferwerk**
Wanneer de schaafer na beëindiging van het schaaferwerk met één hand verwijderd wordt, moet er op gelet worden, dat het schaaferijzer (onderkant) van de schaafer niet in aanraking komt met het lichaam. Anders kunnen er ernstige verwondingen optreden.
- 5. Snoerhouder**
Er is een snoerhouder aan de achterkant van de handgreep onder de plaats waar het snoer is bevestigd. Klem het snoer vanaf rechts of links in de houder, afhankelijk van de kant waar u wilt dat het snoer moet zijn. (**Afb. 8**)
- 6. Standaard**
Til de achterkant van de schaafermachine omhoog om de voet vanaf de basis te verlengen. Als de standaard is uitgetrokken wanneer u de schaafermachine neerzet, voorkomt u contact tussen het mes en het materiaal. (**Afb. 9**)

HET MONTEREN EN DEMONTEREN VAN HET SCHAAFIJZER EN HET INSTELLEN VAN DE SNIJDIEPTE (VOOR MES MET DUBBELE RAND)

- 1. Demontage van het schaaferijzer Koolstofmetaalmes**
- Maak de snijvlakhouder los met de bijgeleverde steeksleutel, als aangegeven in **Afb. 10**.
 - Verwijder het freessnijvlak door het te schuiven met de bijgeleverde steeksleutel, als aangegeven in **Afb. 11**.

LET OP

Er moet op gelet worden, dat de handen niet verwond worden.

- 2. Montage van het Koolstofmetaalmes**

LET OP

Voor het monteren verwijderd men zorgvuldig al het stof, dat zich op het Koolstofmetaalmes afgezet heeft.

- Druk stelplaat (B) zoals in **Afb. 12** wordt getoond omhoog en plaats een nieuw koolstofmetaalmes tussen het snijblok en de stelplaat (B).
- Monteer het nieuwe freessnijvlak door het op de gemonteerde plaat (B) te schuiven zodat de punt van het snijvlak met 1 mm uit het einde van het freeszwart steekt, als aangegeven in **Afb. 13**.
- Bevestig de moer aan de snijvlakhouder, als aangegeven in **Afb. 14**, en het vervangen van het snijvlak is gebeurd.
- De snijkop wordt omgedraaid en men bevestigd de andere kant op dezelfde manier.

- 3. Het instellen van de hoogte van het Koolstofmetaalmes**

LET OP

Indien de hoogte van de koolstofmetaalmes niet juist is na het uitvoeren van de hierboven beschreven procedure, moet u de volgende handelingen uitvoeren.

- Gebruik de bijgeleverde steeksleutel om de drie moertjes die het freessnijvlak tegenhouden los te maken en verwijder de snijvlakhouder, als aangegeven in **Afb. 15**.
- Schuif, nadat het freessnijvlak is verwijderd, de gemonteerde plaat (B) in de richting van de pijl, als aangegeven in **Afb. 16**, om de gemonteerde plaat (B) te demonteren.
- Maak de twee schroeven los die het freessnijvlak, de gemonteerde plaat (A) en de gemonteerde plaat (B) op hun plaats houden.
- Duw het gedraaide oppervlak van de gemonteerde plaat (A) richting het muuroppervlak b, terwijl u ondertussen de snijkant van het freessnijvlak afstelt op het muuroppervlak a van het gemonteerde meetinstrument, als aangegeven in **Afb. 17** en **18**. Zet ze vervolgens vast met de 2 schroeven.
- Plaats een gedraaid gedeelte van de gemonteerde plaat (A) bevestigd aan de gemonteerde plaat (B) in een groef op het vlakke gedeelte van het freeszwart, als aangegeven in **Afb. 19** en **20**.
- Plaats de snijvlakhouder op de afgemaakte montage en zet hem vast met de drie moertjes, als aangegeven in **Afb. 21**. Zorg beslist dat de moertjes stevig vast zitten. Voer dezelfde handelingen voor de andere kant van het koolstofmetaalmes uit.

SNIJVLAK MONTAGE EN DEMONTAGE, EN HET AFSTELLEN VAN DE HOOGTE VAN HET SNIJVLAK (VOOR SLIJPBAAR MES)

- 1. Snijvlak demontage**

- Gebruik de bijgeleverde steeksleutel om de drie moertjes los te maken die het snijvlak tegenhouden, en verwijder de snijvlakhouder, als aangegeven in **Afb. 15**.
- Schuif het snijvlak in de richting van de pijl om het snijvlak te demonteren, als aangegeven in **Afb. 16**.

LET OP

Er moet op gelet worden, dat de handen niet verwond worden.

- 2. Sijvlak montage**

LET OP

Veeg voordat u gaat monteren eerst al het slijpsel af wat zich opeengehoopt heeft op het snijvlak.

- Plaats een gedraaid gedeelte van de gemonteerde plaat (A) wat vastzit aan het snijvlak, in een groef op het vlakke gedeelte van het freesblok. (**Afb. 19** en **22**.)
Plaats het snijvlak zo dat beide kanten van het snijvlak ongeveer 1 mm uitsteken aan de breedte van het freesblok. (**Afb. 23**.)
- De ijzerhouder wordt op de machine gezet en met de drie schroeven bevestigd, zoals getoond in **Afb. 24**. Er moet op gelet worden, dat de schroeven stevig aangedraaid zijn.
- De snijkop wordt omgedraaid en men bevestigd de tegengestelde kant op dezelfde manier.

3. Afstelling van de hoogte van het snijvlak

- (1) Maak de twee schroeven los die het snijvlak en de gemonteerde plaat (A) op hun plaats houden.
- (2) Duw het gedraaide oppervlak van de gemonteerde plaat (A) naar het muuroppervlak b, terwijl u de snijkant van het snijvlak afstelt op het muuroppervlak a van het gemonteerde meetinstrument. Zet ze vervolgens vast met de twee schroeven. (Afb. 17 en 25.)

HET SLIJPEN VAN DE SNIJVLAKKEN

Het is aanbevolen om gemakshalve de bijbehorende Snijvlak Slijper Montage te gebruiken.

1. Het gebruik van de Snijvlak Slijper Montage

Twee snijvlakken kunnen bevestigd worden op de snijvlak slijper montage om te verzekeren dat de snijvlakpunten worden gebaseerd op uniforme hoeken, als aangegeven in Afb. 26. Stel tijdens het slijpen de positie van de snijvlakken zo af dat hun hoeken gelijktijdig in aanraking komen met de slijpsteen, als aangegeven in Afb. 27.

2. Pauzes in het snijvlak slijpen

Pauzes in het snijvlak slijpen hangen af van het soort hout dat wordt gesneden en de diepte van het snijden. Hoe dan ook, het slijpen wordt over het algemeen na 500 meter snijwerk bewerkstelligd.

3. Slijpsteen

Wanneer een waterslijpsteen voor handen is, gebruik het dan nadat het voldoende in water is gedompeld omdat zulk soort slijpstenen kunnen slijten tijdens het slijpwerk, en vlak het bovenvlak van de slijpsteen indien nodig af.

BEVESTIGEN EN LOSMAKEN VAN DE STOFADAPTER (LOS VERKRIJGBAAR TOEBEHOOR)

LET OP

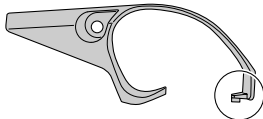
- Om een ongeluk te voorkomen, moet u ervoor zorgen dat het elektrisch gereedschap is uitgeschakeld en de stekker is losgemaakt van de voedingsbron.
- Volg de onderstaande procedure om de stofadapter stevig te bevestigen. Wanneer dit niet wordt gedaan, kan de adapter losraken met letsel tot gevolg.

1. Bevestigen van de stofadapter

- (1) Verwijder de D4 × 16 schroef in de spaankast en verwijder dan de spaankast zoals afgebeeld in Afb. 28.
- (2) Bevestig de stofadapter en maak deze met de D4 × 16 schroef vast. (Afb. 29)

OPMERKING

Wees voorzichtig dat de sluiting niet breekt bij het bevestigen of losmaken van de stofadapter en de spaankast.



2. Verwijderen van de stofadapter

Om de stofadapter te verwijderen, voert u de bovenstaande procedure in de omgekeerde volgorde uit.

ONDERHOUD EN INSPECTIE

1. Inspectie van het Koolstofmetaalmes

Het verder gebruik van stompe of beschadigde messen leidt tot verminderd schaafeffect en kan overbelasting van de motor veroorzaken. De messen moeten zo dikwijls mogelijk vernieuwd worden.

2. Behandeling

LET OP

De voorste plaat, de achterste plaat en de instelknop voor de spaandikte zijn voor het bereiken van een bijzonder grote precisie exact bewerkt. Wanneer deze delen ruw behandeld worden of blootgesteld worden aan sterke mechanische slagen, kan dat leiden tot een verminderde precisie en schaafeffect. Deze delen moeten met bijzondere zorgvuldigheid worden behandeld.

3. Inspectie van de bevestigingsschroef

Alle bevestigingsschroeven worden regelmatig geïnspecteerd en gecontroleerd of zij juist aangedraaid zijn. Wanneer één van de schroeven losraakt, dan moet deze onmiddellijk opnieuw aangedraaid worden. Gebeurt dat niet, dan kan dat tot aanzienlijke gevaren leiden.

4. Inspectie van de koolborstels (Afb. 30)

Bij de motor zijn koolborstels gebruikt, die onderhevig zijn aan slijtage.

Versleten koolborstels leiden tot problemen bij de motor. Dientengevolge dienen de koolborstels vervangen te worden door borstels die hetzelfde nummer hebben als de afbeelding aantoont, wanneer de koolborstel versleten, of bijna versleten zijn. Bovendien moeten de koolborstels altijd schoon zijn en zich vrij in de borstelhouders kunnen bewegen.

5. Het wisselen van de koolborstel

Na het verwijderen van de spaankast kan de koolborstel en veer gemakkelijk met een schroevendraaier verwijderd worden.

6. Onderhoud van de motor

De motorwikkeling is het "hart" van het elektrische gereedschap. Er moet daarom bijzonder zorgvuldig op gelet worden, dat de wikkeling niet beschadigt en/of met olie of water bevochtigd wordt.

7. Vervangen van het stroomsnoer

Als het nodig is om het stroomsnoer te vervangen, moet dit worden uitgevoerd door een erkend HiKOKI Service-centrum ter voorkoming van problemen met de veiligheid.

8. Lijst vervangingsonderdelen

LET OP

Reparatie, modificatie en inspectie van HiKOKI elektrisch gereedschap dient te worden uitgevoerd door een erkend HiKOKI Service-centrum.

Deze Onderdelenlijst komt van pas wanneer u deze samen met het gereedschap aanbiedt bij het erkende HiKOKI Service-centrum wanneer u om reparatie of ander onderhoud verzoekt.

Bij gebruik en onderhoud van elektrisch gereedschap dienen de in het land waar u zich bevindt geldende veiligheidsregelgeving en veiligheidsstandaarden strikt te worden opgevolgd.

MODIFICATIES

HiKOKI elektrisch gereedschap wordt voortdurend verbeterd en gewijzigd teneinde gebruik te kunnen maken van de nieuwste technische ontwikkelingen. Daarom is mogelijk dat sommige onderdelen zonder voorafgaande kennisgeving gewijzigd worden.

GARANTIE

De garantie op het elektrisch gereedschap van HiKOKI is in overeenstemming met de wettelijke/landspecifieke richtlijnen. Deze garantie dekt geen defecten of schade als gevolg van foutief gebruik, misbruik of normale slijtage. In geval van klachten verzoeken wij u het elektrisch gereedschap samen met het GARANTIECERTIFICAAT dat u achterin deze handleiding aantreft naar een erkend servicecentrum van HiKOKI te sturen. Indien door de gebruiker de machine wordt gedemonteerd vervalt de aanspraak op garantie.

AAANTEKENING

Op grond van het voortdurende research- en ontwikkelingsprogramma van HiKOKI zijn veranderingen van de hierin genoemde technische opgaven voorbehouden.

Informatie betreffende luchtgeluid en trillingen

De gemeten waarden zijn verkregen overeenkomstig EN60745 en voldoen aan de eisen van ISO 4871.

Gemeten A-gewogen geluidsniveau: 94 dB (A)
 Gemeten A-gewogen geluidsdrukkniveau: 83 dB (A)
 Onzekerheid KpA: 3 dB (A)

Draag gehoorbescherming.

Totale trillingswaarden (triax vector som) bepaald overeenkomstig EN60745.

Schaven van zacht hout:
 Trillingsemisssiewaarde $a_h = 3,1 \text{ m/s}^2$
 Onzekerheid K = 1,5 m/s²

De totale bepaalde trillingswaarde is gemeten in overeenstemming met een standaardtestmethode en is bruikbaar om meerdere gereedschappen met elkaar te vergelijken.

U kunt dit ook als beoordeling vooraf aan de blootstelling gebruiken.

WAARSCHUWING

- De trillingsemisssiewaarde tijdens het feitelijke gebruik van het elektrisch gereedschap kan afwijken van de opgegeven totale waarde afhankelijk van de manieren waarop het gereedschap wordt gebruikt.
- Neem kennis van de veiligheidsmaatregelen voor de bescherming van de gebruiker die gebaseerd zijn op een schatting van blootstelling onder feitelijke gebruiksomstandigheden (rekening houdend met alle onderdelen van de gebruikscyclus, zoals de tijd dat het gereedschap is uitgeschakeld en wanneer dit onbelast draait inclusief de triggertijd).

ADVERTENCIAS DE SEGURIDAD GENERAL DE LA HERRAMIENTA ELÉCTRICA

⚠ ADVERTENCIA

Lea todas las instrucciones y advertencias de seguridad.

Si no se siguen las advertencias e instrucciones, podría producirse una descarga eléctrica, un incendio y/o daños graves.

Guarde todas las advertencias e instrucciones para futura referencia. El término "herramienta eléctrica" en las advertencias hace referencia a la herramienta eléctrica que funciona con la red de suministro (con cable) o a la herramienta eléctrica que funciona con pilas (sin cable).

1) Seguridad del área de trabajo

a) Mantenga la zona de trabajo limpia y bien iluminada.

Las zonas desordenadas u oscuras pueden provocar accidentes.

b) No utilice las herramientas eléctricas en entornos explosivos como, por ejemplo, en presencia de líquidos inflamables, gases o polvo.

Las herramientas eléctricas crean chispas que pueden inflamar el polvo o los humos.

c) Mantenga a los niños y transeúntes alejados cuando utilice una herramienta eléctrica.

Las distracciones pueden hacer que pierda el control.

2) Seguridad eléctrica

a) Los enchufes de las herramientas eléctricas tienen que ser adecuados a la toma de corriente.

No modifique el enchufe.

No utilice enchufes adaptadores con herramientas eléctricas conectadas a tierra.

Si no se modifican los enchufes y se utilizan tomas de corriente adecuadas se reducirá el riesgo de descarga eléctrica.

b) Evite el contacto corporal con superficies conectadas a tierra como tuberías, radiadores y frigoríficos.

Hay mayor riesgo de descarga eléctrica si su cuerpo está en contacto con el suelo.

c) No exponga las herramientas eléctricas a la lluvia o a la humedad.

La entrada de agua en una herramienta eléctrica aumentará el riesgo de descarga eléctrica.

d) No utilice el cable incorrectamente. No utilice el cable para transportar, tirar de la herramienta eléctrica o desenchufarla. Mantenga el cable alejado del calor, del aceite, de bordes afilados o piezas móviles.

Los cables dañados o enredados aumentan el riesgo de descarga eléctrica.

e) Cuando utilice una herramienta eléctrica al aire libre, utilice un cable prolongador adecuado para utilizarse al aire libre.

La utilización de un cable adecuado para usarse al aire libre reduce el riesgo de descarga eléctrica.

f) Si no se puede evitar el uso de una herramienta eléctrica en un lugar húmedo, utilice un suministro protegido mediante un dispositivo de corriente residual (RCD).

El uso de un RCD reduce el riesgo de descarga eléctrica.

3) Seguridad personal

a) Esté atento, preste atención a lo que hace y utilice el sentido común cuando utilice una herramienta eléctrica.

No utilice una herramienta eléctrica cuando esté cansado o esté bajo la influencia de drogas, alcohol o medicación.

La distracción momentánea cuando utiliza herramientas eléctricas puede dar lugar a importantes daños personales.

b) Utilice un equipo de protección. Utilice siempre una protección ocular.

El equipo de protección como máscara para el polvo, zapatos de seguridad antideslizantes, casco o protección para oídos utilizado para condiciones adecuadas reducirá los daños personales.

c) Evite un inicio involuntario. Asegúrese de que el interruptor está en "off" antes de conectar la herramienta a una fuente de alimentación y/o batería, cogerla o transportarla.

El transporte de herramientas eléctricas con el dedo en el interruptor o el encendido de herramientas eléctricas con el interruptor encendido puede provocar accidentes.

d) Retire las llaves de ajuste antes de encender la herramienta eléctrica.

Si se deja una llave en una pieza giratoria de la herramienta eléctrica podrían producirse daños personales.

e) No se extralimite. Mantenga un equilibrio adecuado en todo momento.

Esto permite un mayor control de la herramienta eléctrica en situaciones inesperadas.

f) Vistase adecuadamente. No lleve prendas sueltas o joyas. Mantenga el pelo, la ropa y los guantes alejados de las piezas móviles.

La ropa suelta, las joyas y el pelo largo pueden pillarse en las piezas móviles.

g) Si se proporcionan dispositivos para la conexión de extracción de polvo e instalaciones de recogida, asegúrese de que están conectados y se utilizan adecuadamente.

La utilización de un sistema de recogida de polvo puede reducir los riesgos relacionados con el polvo.

4) Utilización y mantenimiento de las herramientas eléctricas

a) No fuerce la herramienta eléctrica. Utilice la herramienta eléctrica correcta para su aplicación.

La herramienta eléctrica correcta trabajará mejor y de forma más segura si se utiliza a la velocidad para la que fue diseñada.

b) No utilice la herramienta eléctrica si el interruptor no la enciende y apaga.

Las herramientas eléctricas que no pueden controlarse con el interruptor son peligrosas y deben repararse.

c) Desconecte el enchufe de la fuente eléctrica y/o la batería de la herramienta eléctrica antes de hacer ajustes, cambiar accesorios o almacenar herramientas eléctricas.

Estas medidas de seguridad preventivas reducen el riesgo de que la herramienta eléctrica se ponga en marcha accidentalmente.

d) Guarde las herramientas eléctricas que no se utilicen para que no las cojan los niños y no permita que utilicen las herramientas eléctricas personas no familiarizadas con las mismas o con estas instrucciones.

Las herramientas eléctricas son peligrosas si son utilizadas por usuarios sin formación.

e) Mantenimiento de las herramientas eléctricas. Compruebe si las piezas móviles están mal alineadas o unidas, si hay alguna pieza rota u otra condición que pudiera afectar al funcionamiento de las herramientas eléctricas.

Si la herramienta eléctrica está dañada, llévela a reparar antes de utilizarla.

Se producen muchos accidentes por no realizar un mantenimiento correcto de las herramientas eléctricas.

f) Mantenga las herramientas de corte afiladas y limpias.

Las herramientas de corte correctamente mantenidas con los bordes de corte afilados son más fáciles de controlar.

g) Utilice la herramienta eléctrica, los accesorios y las brocas de la herramienta, etc. de acuerdo con estas instrucciones, teniendo en cuenta las condiciones laborales y el trabajo que se va a realizar.

La utilización de la herramienta eléctrica para operaciones diferentes a aquellas pretendidas podría dar lugar a una situación peligrosa.

5) Revisión

a) Lleve su herramienta a que la revise un experto cualificado que utilice sólo piezas de repuesto idénticas.

Esto garantizará el mantenimiento de la seguridad de la herramienta eléctrica.

ADVERTENCIAS DE SEGURIDAD DE LA CEPILLADORA

1. Espere a que la cuchilla se detenga antes de dejar la herramienta.

La exposición de un dispositivo de corte en rotación podría provocar el contacto con la superficie y traducirse una pérdida de control y lesiones graves.

2. **Sostenga la herramienta eléctrica agarrándola únicamente por la superficie de agarre aislada, ya que el dispositivo de corte podría cortar su propio cable.** El corte de cables "con tensión" podría provocar que las piezas metálicas expuestas de la herramienta eléctrica transmitieran corriente y provocaran al operador una descarga eléctrica.
3. **Use abrazaderas u otra cualquier forma práctica para fijar y apoyar el elemento de trabajo sobre una plataforma estable.** Sostener el elemento de trabajo con la mano o contra su cuerpo no crea un entorno estable y podría derivar en la pérdida del control.
4. No usar la cepilladora con la cuchilla mirando hacia arriba (como cepilladora de tipo estacionario).

ESPECIFICACIONES

Voltaje (por áreas)*	(110 V, 230 V, 240 V) ~
Acometida	620 W*
Anchura de corte	82 mm
Profundidad máx. de corte	2,6 mm
Peso (sin cable ni guía)	2,5 kg
Velocidad de marcha en vacío	17000 min ⁻¹

* Verificar indefectiblemente los datos de la placa de características de la máquina, pues varían de acuerdo al país de destino.

ACCESORIOS ESTANDAR

1. Llave anular
(para afirmar la cuchilla del cortador) 1
 2. Manómetro de ajuste
(para ajustar la altura del cortador) 1
 3. Guía (con tornillo de sujeción) 1
 4. Conjunto de afila-cuchillas
(para el tipo de cuchilla afilable) 1
 5. Funda
(no se incluye en todas las zonas geográficas) 1
- Los accesorios estándar están sujetos a cambio sin previo aviso.

ACCESORIOS FACULTATIVOS (venta por separado)

1. Adaptador para el polvo
2. Codo
3. Bolsa para el polvo

Los accesorios facultativos están sujetos a cambio sin previo aviso.

APLICACIONES

- Cepillar diferentes tablas y paneles de madera. (ver Figs. 1-4)

ANTES DE LA PUESTA EN MARCHA

1. Alimentación

Asegurarse de que la alimentación de red que ha de ser utilizada y responda a las exigencias de corriente especificadas en la placa de características del producto.

2. Interruptor de alimentación

Asegurarse de que el interruptor de alimentación esté en la posición OFF (desconectado). Si el enchufe está conectado en el receptáculo mientras el interruptor de alimentación esté en posición ON (conectado) las herramientas eléctricas empezarán a funcionar inesperadamente, provocando un serio accidente.

3. Cable de prolongación

Cuando el área de trabajo está alejada de la red de acometida, usar un cable de prolongación suficiente grueso y potente. El cable de prolongación debe ser mantenido lo más corto posible.

4. Preparar un banco de trabajo de madera estable para la operación de cepillado. Como un lugar de trabajo poco equilibrado representa una fuente de peligro, asegurarse de que esté firmemente colocado en un fundamento firme y horizontal.

5. RCD

Se recomienda el uso permanente de un dispositivo de corriente residual con una corriente residual nominal equivalente o inferior a 30 mA.

PROCEDIMIENTOS DE CEPILLADO

1. Ajustar la profundidad del cortador

- (1) Girar el botón en la dirección indicada por la flecha en la Fig. 5 (en el sentido de las manillas de un reloj) hasta que la marca triangular esté alineada con la profundidad de corte deseada en la escala. La unidad de escala está graduada en milímetros.
- (2) La profundidad de corte puede ser ajustada dentro de un ámbito de 0-2,6 mm.

2. Corte de superficie

Se debe realizar un corte tosco con una profundidad larga de corte y una velocidad adecuada de tal manera que sean expulsadas suavemente las virutas de la máquina. Para asegurarse de que el acabado de la superficie sea fino, el corte de acabado debe ser realizado a una profundidad pequeña de corte y velocidad baja.

3. Comienzo y final de la operación de corte

Como se muestra en la Fig. 6, situar la base frontal de la cepillo en la pieza de trabajo y mantener la garlopa horizontal. Girar el conmutador ON (conectado) y llevar despacio la cepillo en la dirección al borde directriz de la pieza de trabajo. Apretar firmemente hacia abajo la mitad delantera de la cepillo en la primera parte de la operación de cortar y, como se muestra en la Fig. 7, apretar hacia abajo la mitad trasera de la cepillo al final de la operación de corte. La cepillo tiene que ser mantenida siempre plana durante toda la operación de corte.

4. Precaución después de haber acabado la operación de cepillar

Cuando la garlopa está suspendida con una mano después de haber acabado la operación de cepillar, asegurarse de que las cuchillas (base) de la cepillo no contacten o vayan demasiado cerca de su cuerpo. El no tener esto en cuenta ocasionaría heridas serias.

5. Soporte para cable

En la parte trasera del mango se encuentra un soporte para cable, justo debajo de la posición a la que está fijado el cable. Enganche el cable en el soporte desde la izquierda o la derecha, en función del lado en el que desea que esté situado el cable. (Fig. 8)

6. Soporte

Eleve la parte trasera de la cepilladora para desplegar el pie de la base. El despliegue del soporte al colocar la cepilladora impide que se produzca contacto entre la hoja y el material. (Fig. 9)

3. Ajuste de la altura de cuchilla de carburo

PRECAUCIÓN

Si la altura de la cuchilla de carburo es imprecisa después de haber realizado los ajustes anteriores, realice los descritos a continuación.

- (1) Como se muestra en la Fig. 15, utilice la llave de cubo para aflojar los tres pernos utilizados para retener la cuchilla de carburo, y extraiga el soporte de la cuchilla de carburo.
- (2) Como se muestra en la Fig. 16, después de haber extraído la cuchilla de carburo del cortador, deslice la placa de ajuste (B) en el sentido indicado por la flecha para desmontar dicha placa (B).
- (3) Afloje los 2 tornillos que sujetan la cuchilla de carburo del cortador y la placa de ajuste (A) y la placa de ajuste (B).
- (4) Como se muestra en las Figs. 17 y 18, presione la superficie torneada de la placa de ajuste (A) contra la superficie de la pared b mientras ajuste el borde de la cuchilla con la superficie de la pared a la del manómetro de ajuste. Después, apriételas con los 2 tornillos.
- (5) Como se muestra en las Figs 19 y 20, inserte la parte torneada de la placa de ajuste (A) fijada a la placa de ajuste (B) en la ranura de la parte plana del bloque del cortador.
- (6) Como se muestra en la Fig. 21, coloque el soporte de la cuchilla de carburo en el conjunto completado y apriételo con los tres pernos. Cerciórese de que los pernos hayan quedado firmemente asegurados. Realice los mismos procedimientos desde la cuchilla de carburo del lado opuesto.

MONTAJE Y DESMONTAJE DE LA CUCHILLA DE CARBURO Y AJUSTE DE LA ALTURA DE LA CUCHILLA (PARA EL TIPO DE CUCHILLA DE DOBLE BORDE)

1. Desmontaje de la cuchilla de carburo

- (1) Como se muestra en la Fig. 10, afloje el soporte de las cuchillas de carburo con la llave de cubo suministrada.
- (2) Como se muestra en la Fig. 11, extraiga la cuchilla de carburo deslizándola con la llave de cubo suministrada.

PRECAUCIÓN

Tener cuidado de no herirse las manos.

2. Montaje de la cuchilla de carburo

PRECAUCIÓN

Antes del montaje, quitar cuidadosamente todo el polvo de afilado, acumulado en la cuchilla de carburo.

- (1) Como se muestra en la Fig. 12, levante la placa de ajuste (B) e inserte la nueva cuchilla de carburo entre el bloque del cortador y la placa de ajuste (B).
- (2) Como se muestra en la Fig. 13, monte la nueva cuchilla de carburo deslizándola en la placa de ajuste (B) de forma que la punta de la misma sobresalga 1 mm del extremo del bloque del cortador.
- (3) Como se muestra en la Fig. 14, fije el perno en el soporte de la cuchilla de carburo y, de esta forma, habrá finalizado el reemplazo de la misma.
- (4) Dar la vuelta al bloque de cortador y ajustar el otro lado de la misma manera.

MONTAJE, DESMONTAJE, Y AJUSTE DE LA ALTURA DE LA CUCHILLA (PARA EL TIPO DE CUCHILLA AFILABLE)

1. Desmontaje de la cuchilla

- (1) Como se muestra en la Fig. 15, utilice la llave de cubo accesoria para aflojar los tres pernos utilizados para retener la cuchilla, y extraiga el soporte de la misma.
- (2) Como se muestra en la Fig. 16, deslice la cuchilla en el sentido indicado por la flecha para desmontar dicha cuchilla.

PRECAUCIÓN

Tener cuidado de no herirse las manos.

2. Montaje de la cuchilla

PRECAUCIÓN

Antes del montaje, limpie completamente todas las limaduras de la misma.

- (1) Inserte una parte torneada de la placa de ajuste (A) fijada a la cuchilla en aun ranura de la parte plana del bloque del cortador. (Figs. 19 y 22)
Coloque la cuchilla de forma que ambos lados de la misma sobresalgan de la anchura del bloque del cortador aproximadamente 1 mm. (Fig. 23)
- (2) Situar el sujetador de cuchilla en el conjunto completo como se muestra en la Fig. 24, y apretarlo con los tres pernos. Asegurarse de que los pernos están apretados firmemente.
- (3) Dar la vuelta al bloque de cortador y ajustar el lado opuesto de la misma manera.

3. Ajuste de la altura de la cuchilla

- (1) Afloje los 2 tornillos que sujetan la cuchilla y la placa de ajuste (A).
- (2) Presione la superficie torneada de la placa de ajuste (A) contra la superficie de la pared *b* ajustando el borde de la cuchilla contra la superficie de la pared *a* del manómetro de ajuste. Después, apriételes con los 2 tornillos. (Figs. 17 y 25)

AFILADO DE LAS CUCHILLAS AFILABLES

Por motivos de comodidad, se aconseja utilizar el conjunto de afilado de cuchillas.

1. Utilice el conjunto de afilado de cuchillas.

Como se muestra en la Fig. 26, en el conjunto de afilado de cuchillas sierra pueden montarse dos cuchillas para asegurar que las puntas se afilen con ángulos uniformes. Durante el afilado, ajuste la posición de las cuchillas de forma que su borde quede simultáneamente en contacto con la piedra de afilar, como se muestra en la Fig. 27.

2. Intervalos de afilado de las cuchillas

Los intervalos de afilado de las cuchillas dependerán del tipo de madera que esté cortándose y de la profundidad de corte. Sin embargo, el afilado deberá realizarse normalmente después de cada 500 metros de operación de corte.

3. Piedra de afilar

Cuando disponga de una piedra de afilar para agua, utilícela después de haberla humedecido suficientemente porque de lo contrario podría desgastarse durante el afilado. Aplane la superficie de la piedra de afilar cuando sea necesario.

INSTALACIÓN Y DESINSTALACIÓN DEL ADAPTADOR DE RECOGIDA DE POLVO (ACCESORIO OPCIONAL)

PRECAUCIÓN

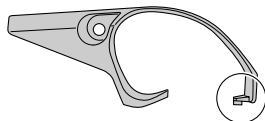
- Para evitar accidentes, asegúrese de que la herramienta eléctrica esté apagada y de que el enchufe esté desconectado de la fuente de suministro eléctrico.
- Siga el procedimiento indicado a continuación para montar correctamente el adaptador de recogida de polvo. No seguir este procedimiento podría provocar que el adaptador se desacoplara, provocando lesiones.

1. Instalación del adaptador de recogida de polvo

- (1) Extraiga los tornillos D4 × 16 de la cubierta de virutas y extraiga la cubierta de virutas tal y como se muestra en la Fig. 28.
- (2) Monte el adaptador de recogida de polvo y fíjelo con los tornillos D4 × 16. (Fig. 29)

NOTA:

Tenga cuidado de no romper el enganche al instalar o desinstalar el adaptador de recogida de polvo y la cubierta de virutas.



2. Desinstalación del adaptador de recogida de polvo

Para desinstalar el adaptador de recogida de polvo, siga el procedimiento anterior en orden inverso.

MANTENIMIENTO E INSPECCIÓN

1. Inspeccionar las cuchillas

El uso continuo de cuchillas desgastadas o dañadas podría ocasionar una reducción de la eficiencia de corte y recalentamiento del motor. Afilar o reemplazar las cuchillas tantas veces como sea necesario.

2. Manejo

PRECAUCIÓN

La base delantera, la base trasera y el botón de control de la profundidad de corte están trabajados con exactitud para obtener una especifica alta precisión. Si estas piezas fueran tratadas con rudeza o sometidas a pesados golpes mecánicos, podría ser causados deterioros en la precisión y reducción del rendimiento de corte.

Estas piezas tienen que ser manejadas con especial cuidado.

3. Inspeccionar los tornillos de montaje

Regularmente inspeccionar todos los tornillos de montaje y asegurarse de que estén apretados firmemente. Si cualquier tornillo estuviese suelto, volver a apretarlo inmediatamente. El no hacer esto provocaría un riesgo serio.

4. Inspección de escobillas de carbón (Fig. 30)

El motor emplea carbones de contacto que son partes consumibles. Como un carbón de contacto excesivamente desgastado podría dar problemas al motor, reemplazar el carbón de contacto por uno nuevo, y que tenga el mismo número, como muestra en la figura, cuando se haya desgastado o esté cerca del límite de uso. Adicionalmente, mantener siempre los carbones de contacto limpios y asegurarse de que corran libremente dentro de los sujetadores de carbón.

5. Reemplazamiento de un carbón de contacto

Después de quitar la cubierta de virutas, usar un destornillador corriente para desarmar la tapa de la escobilla. Entonces podrá quitarse fácilmente la escobilla de carbón con el resorte.

6. Mantenimiento de motor

La unidad de bobinado del motor es el verdadero "corazón" de las herramientas eléctricas. Prestar el mayor cuidado y asegurarse de que el bobinado no se dañe y/o se humedezca con aceite o agua.

7. Reemplazo del cable de alimentación

Si es necesario cambiar el cable de alimentación, lo debe hacer el Centro de Servicio Autorizado de HiKOKI para evitar riesgos de seguridad.

8. Lista de repuestos

PRECAUCIÓN

La reparación, modificación e inspección de las herramientas eléctricas HiKOKI deben ser realizadas por un Centro de Servicio Autorizado de HiKOKI. Esta lista de repuestos será de utilidad si es presentada junto con la herramienta al Centro de Servicio Autorizado de HiKOKI, para solicitar la reparación o cualquier otro tipo de mantenimiento. En el manejo y el mantenimiento de las herramientas eléctricas, se deberán observar las normas y reglamentos vigentes en cada país.

MODIFICACIONES

HiKOKI Power Tools introduce constantemente mejoras y modificaciones para incorporar los últimos avances tecnológicos.

Por consiguiente, algunas partes pueden ser modificadas sin previo aviso.

GARANTÍA

Las herramientas motorizadas de HiKOKI incluye una garantía conforme al reglamento específico legal/nacional. Esta garantía no cubre los defectos o daños debidos al uso incorrecto, el abuso o el desgaste normal. En caso de reclamación, envíe la herramienta motorizada, sin desmontar y con el CERTIFICADO DE GARANTÍA que aparece al final de estas instrucciones de uso, al Centro de Servicio Autorizado de HiKOKI.

OBSERVACION

Debido al programa continuo de investigación y desarrollo de HiKOKI estas especificaciones están sujetas a cambio sin previo aviso.

Información sobre el ruido propagado por el aire y vibración

Los valores medidos se determinaron de acuerdo con EN60745 declararon de conformidad con ISO 4871.

Nivel de potencia auditiva ponderada A: 94 dB (A)

Nivel de presión auditiva ponderada A: 83 dB (A)

Duda K_{pA} : 3 dB (A)

Utilice protecciones auriculares.

Valores totales de la vibración (suma de vectores triax.) determinados de acuerdo con EN60745.

Planificación de madera conífera:

Valor de emisión de la vibración $a_h = 3,1 \text{ m/s}^2$

Incertidumbre $K = 1,5 \text{ m/s}^2$

El valor total de vibración declarado ha sido medido de acuerdo con un método de prueba estándar y permite comparar unas herramientas con otras.

También resulta útil para llevar a cabo evaluaciones preliminares de exposición.

ADVERTENCIA

- La emisión de vibración durante la utilización de la herramienta eléctrica puede ser diferente del valor total declarado dependiendo de las formas de utilización de la herramienta.
- Identifique las medidas seguras para proteger al operario basadas en una estimación de exposición en las condiciones reales de uso (teniendo en cuenta todas las partes del ciclo de funcionamiento como tiempos cuando la herramienta está apagada y cuando funciona lentamente además del tiempo de activación).

AVISOS GERAIS DE SEGURANÇA PARA A FERRAMENTA ELÉCTRICA

⚠ AVISO

Leia todas as instruções e avisos de segurança.

Se não seguir todas as instruções e os avisos, pode provocar um choque eléctrico, incêndio e/ou ferimentos graves.

Guarde todos os avisos e instruções para referência futura. O termo "ferramenta eléctrica" em todos os avisos refere-se à sua ferramenta ligada à corrente (com fios) ou à ferramenta eléctrica a baterias (sem fios).

1) Segurança da área de trabalho

- Mantenha a área de trabalho limpa e bem iluminada. As áreas escuras ou cheias de material são propícias aos acidentes.
- Não trabalhe com ferramentas eléctricas em ambientes explosivos, tais como na presença de líquidos inflamáveis, gases ou pó. As ferramentas eléctricas criam faíscas que podem inflamar o pó dos fumos.
- Mantenha as crianças e outras pessoas afastadas quando trabalhar com uma ferramenta eléctrica. As distrações podem fazer com que perca controlo.

2) Segurança eléctrica

- As fichas da ferramenta eléctrica devem corresponder às tomadas. Nunca modifique a ficha. Não utilize fichas adaptadoras com ferramentas eléctricas ligadas à terra. As fichas não modificadas e tomadas correspondentes reduzirão o risco de choques eléctricos.
- Evite contacto corporal com superfícies ligadas à terra, tais como tubos, radiadores, máquinas e frigoríficos. Existe um risco acrescido de choque eléctrico se o seu corpo estiver ligado à terra.
- Não exponha ferramentas eléctricas à chuva ou condições de humidade. A entrada de água numa ferramenta eléctrica aumentará o risco de choques eléctricos.
- Não abuse do fio. Nunca utilize o fio para transportar, puxar ou desligar a ferramenta eléctrica. Mantenha o fio afastado do calor, óleo, margens afiadas ou peças em movimento. Os fios danificados ou entrelaçados podem aumentar o risco de choques eléctricos.
- Quando trabalhar com uma ferramenta eléctrica no exterior, utilize uma extensão adequada para utilização exterior. A utilização de um fio adequado para utilização no exterior reduz o risco de choques eléctricos.
- Se não for possível evitar a utilização de uma máquina eléctrica num local húmido, utilize uma fonte de alimentação protegida por um dispositivo de corrente residual (RCD). A utilização de um RCD reduz o risco de choque eléctrico.

3) Segurança pessoal

- Mantenha-se alerta, esteja atento ao que está a fazer e utilize senso comum quando trabalhar com uma ferramenta eléctrica. Não utilize uma ferramenta eléctrica quando estiver cansado ou sob a influência de drogas, álcool ou medicamentos. Um momento de desatenção enquanto trabalha com ferramentas eléctricas pode resultar em ferimentos pessoais graves.

- Utilize equipamento de protecção pessoal. Utilize sempre protecção para os olhos.

O equipamento de protecção, tal como uma máscara de pó, sapatos de segurança anti-derrapantes, chapéu rígido ou protecção auricular utilizados para condições adequadas reduzirá os ferimentos pessoais.

- Evite ligar por acidente. Certifique-se de que o interruptor está na posição de desligado antes de ligar a fonte de alimentação e/ou bateria, levantar ou transportar a ferramenta.

Transportar ferramentas eléctricas com o dedo no interruptor ou activar ferramentas que estão com o interruptor ligado é propício a acidentes.

- Remova qualquer chave de parafusos ou chave-inglesa de regulação antes de ligar a ferramenta.

Uma chave-inglesa ou de parafusos ligada à parte rotativa da ferramenta pode provocar ferimentos pessoais.

- Não se estique. Mantenha sempre o controlo e equilíbrio adequados.

Isto permite obter um melhor controlo da ferramenta em situações inesperadas.

- Use vestuário adequado. Não use roupas largas ou jóias. Mantenha o cabelo, roupas e luvas afastados das peças móveis.

As roupas largas, jóias ou cabelo comprido podem ser apanhados em peças móveis.

- Se forem fornecidos dispositivos para a ligação de extractores de pó e dispositivos de recolha, certifique-se de que estes estão ligados e são utilizados adequadamente.

A utilização de uma recolha de pó pode reduzir os perigos relacionados com o pó.

4) Utilização da ferramenta e manutenção

- Não force a ferramenta eléctrica. Utilize a ferramenta correcta para a sua aplicação.

A ferramenta correcta fará o trabalho melhor e com mais segurança à velocidade para a qual foi concebida.

- Não utilize a ferramenta eléctrica se o interruptor não a ligar ou desligar.

Qualquer ferramenta que não possa ser controlada com o interruptor é perigosa e deve ser reparada.

- Desligue a ficha da rede antes e/ou a bateria da ferramenta eléctrica antes de efectuar quaisquer regulações, mudar os acessórios ou guardar ferramentas eléctricas.

Tais medidas de segurança de prevenção reduzem o risco de ligar a ferramenta eléctrica acidentalmente.

- Guarde as ferramentas eléctricas fora do alcance de crianças e não permita que pessoas não habituadas à ferramenta eléctrica ou estas instruções trabalhem com a ferramenta.

As ferramentas eléctricas são perigosas nas mãos de utilizadores inexperientes.

- Efectue a manutenção de ferramentas eléctricas. Verifique a existência de desalinhamentos ou dobragens das peças móveis, quebras de peças e quaisquer outras condições que possam afectar o funcionamento das ferramentas eléctricas. Se danificada, mande reparar a ferramenta antes de utilizar.

Muitos acidentes são causados por ferramentas com má manutenção.

- Mantenha as ferramentas de corte afiadas e limpas. As ferramentas de corte com uma manutenção adequada e extremidades afiadas são menos propensas a dobrar e mais fáceis de controlar.

- g) **Utilize a ferramenta eléctrica, acessórios e pontas de ferramentas, etc., de acordo com estas instruções, tomando em consideração as condições de trabalho e o trabalho a ser efectuado.**

A utilização de uma ferramenta eléctrica para operações diferentes das concebidas pode resultar num mau funcionamento.

5) Manutenção

- a) **Faça a manutenção da sua ferramenta eléctrica por um pessoal de reparação qualificado e utilize apenas peças de substituição idênticas.**

Isto garantirá que a segurança da ferramenta eléctrica é mantida.

AVISO DE SEGURANÇA PARA O PLAINA

- Aguarde que o cortador pare antes de assentar a ferramenta.**
Um cortador rotativo exposto pode entrar em contacto com a superfície resultando numa possível perda de controlo e ferimentos graves.
- Segure a ferramenta eléctrica apenas pelas superfícies isoladas, uma vez que a lâmina pode entrar em contacto com o cabo.** Cortar fios com corrente eléctrica pode colocar as peças metálicas da ferramenta sob corrente eléctrica e resultar em choques eléctricos.
- Utilize grampos ou outra forma prática para fixar a peça de trabalho numa plataforma estável.** Segurar a peça de trabalho com a mão ou contra o corpo deixa a mesma instável e pode resultar na perda de controlo.
- Não utilize a plaina com as lâminas viradas para cima (como um plaina fixa).

ESPECIFICAÇÕES

Tensão (por zonas)*	(110 V, 230 V, 240 V) ~
Potencia de entrada	620 W*
Largura de corte	82 mm
Profundidade máxima de corte	2,6 mm
Peso (sem cabo e guia)	2,5 kg
Velocidade sem carga	17000 min ⁻¹

* Certifique-se de que verifica a chapa de dados técnicos, uma vez que pode mudar de zona para zona.

ACESSÓRIOS DE SÉRIE

- Chave de bocas
(para fixar a lâmina do cortador) 1
 - Medidor de definição
(para ajustar a altura do cortador) 1
 - Guia (com parafuso de definição) 1
 - Conjunto de afiamento da lâmina
(para tipo de lâmina possível de afiar) 1
 - Invólucro (Não fornecido em todas as áreas)... 1
- Os acessórios de série podem ser alterados sem aviso prévio.

ACESSÓRIOS OPCIONAIS (vendidos separadamente)

- Adaptador para pó
- Cotovelo
- Saco para pó

Os acessórios opcionais estão sujeitos a mudanças sem aviso prévio.

APLIÇÕES

- Aplinar várias tábuas e painéis de madeira.
(consultar a Fig. 1-4)

ANTES DA OPERAÇÃO

- Fonte de energia**
Certifique-se de que a fonte de energia a ser utilizada está conforme às exigências especificadas na placa identificadora do produto.
- Interruptor**
Certifique-se de que o interruptor está na posição desligada. Se o plugue estiver conectado a um receptáculo quando o interruptor estiver ligado, a ferramenta elétrica vai começar a operar imediatamente, podendo provocar um grave acidente.
- Cabo de extensão**
Quando o local de trabalho não possuir uma fonte de energia, utilize um cabo de extensão de espessura e de potência nominal suficientes. A extensão deve ser mantida tão curta quanto possível.
- Prepare uma mesa de trabalho estável para aplinar. Uma vez que uma mesa de trabalho mal equilibrada pode constituir um perigo, certifique-se de que está num solo firme e estável.
- RCD**
Deve ser sempre utilizado um dispositivo diferencial com uma corrente diferencial igual ou inferior a 30mA.

PROCEDIMENTOS DE APLAINAGEM

- Ajustar a profundidade do cortador**
(1) Rode o manipulador na direcção indicada pela seta na Fig. 5 (para a direita), até que a marca triangular esteja alinhada com a profundidade de corte pretendida na escala. A escala está graduada em milímetros.

- (2) A profundidade de corte pode ser ajustada num intervalo de 0-2,6 mm.
- 2. Corte na superfície**
O desbaste deve ser efectuado a grandes profundidades de corte e a uma velocidade adequada, de forma a que as aparas sejam ejectadas com suavidade da máquina. Para garantir uma superfície com um acabamento suave, o corte de acabamento deve ser efectuado a pequenas profundidades de corte e a uma velocidade baixa.
- 3. Iniciar e terminar a operação de corte**
Tal como indicado no **Fig. 6**, coloque a base frontal da plaina no material e suporte a plaina na horizontal. Coloque o interruptor da alimentação em ON e accione lentamente a plaina na direcção da extremidade de entrada do material. Prima com firmeza a parte frontal da plaina na 1ª fase do corte, tal como indicado no **Fig. 7**, prima a metade traseira da plaina no fim da operação de corte. A plaina deve ser sempre mantida plana durante toda a operação de corte.
- 4. Precauções após terminar a aplainagem**
Quando a plaina estiver suspensa com uma mão após terminar a operação de corte, certifique-se de que as lâminas de corte (base) da plaina não tocam ou ficam demasiado perto do seu corpo. Caso contrário poderá sofrer ferimentos graves.
- 5. Suporte do cabo**
É fornecido um suporte de cabo na parte traseira da pega abaixo do local onde o cabo é instalado. Coloque o cabo no suporte da direita para a esquerda dependendo do lado onde pretende que o cabo esteja. (**Fig. 8**)
- 6. Suporte**
Levante a parte traseira da plaina para estender o pé da base. Com o suporte estendido, quando coloca a plaina no chão impede o contacto entre a lâmina e o material. (**Fig. 9**)
- (3) Conforme mostrado no **Fig. 14**, fixe os parafusos no suporte da lâmina após a substituição da lâmina estar concluída.
- (4) Vire o bloco cortador e defina o outro lado da mesma forma.
- 3. Ajuste da altura da lâmina de carboneto**
CUIDADO
Se as alturas da lâmina de carboneto não forem exactas após os procedimentos acima terem sido concluídos, efectue os procedimentos descritos abaixo.
- (1) Conforme mostrado no **Fig. 15**, utilize a chave de caixa para desapertar os três parafusos utilizados para fixar a lâmina de carboneto e remova o suporte da lâmina.
- (2) Conforme mostrado no **Fig. 16**, após remover a lâmina de carboneto, deslize a placa do conjunto (B) no sentido indicado pela seta para desmontar a placa do conjunto (B).
- (3) Desaperte os 2 parafusos que fixam a lâmina de carboneto e a placa do conjunto (A), placa do conjunto (B).
- (4) Conforme mostrado no **Fig. 17, 18**, pressione a superfície torneada da placa do conjunto (A) para a superfície de parede b ao mesmo tempo que ajusta a extremidade da lâmina de carboneto para a superfície de parede a do manómetro do conjunto. De seguida, aperte-os com os 2 parafusos.
- (5) Conforme mostrado no **Fig. 19, 20**, introduza uma parte torneada da placa do conjunto (A) encaixada na placa do conjunto (B) numa ranhura na parte plana do bloco cortador.
- (6) Conforme mostrado no **Fig. 21**, coloque o suporte da lâmina na montagem concluída e aperte-o com os três parafusos. Certifique-se de que os parafusos estão bem apertados. Siga os mesmos procedimentos para o lado oposto da lâmina de carboneto.

MONTAGEM E DESMONTAGEM DA LÂMINA DE CARBONETO E AJUSTE DA ALTURA DA LÂMINA DE CORTE (PARA TIPO DE LÂMINA DE FIO DUPLO)

- 1. Desmontagem da lâmina de carboneto**
- (1) Conforme mostrado no **Fig. 10**, desaperte o suporte da lâmina com a chave de caixa incluída.
- (2) Conforme mostrado no **Fig. 11**, remova a lâmina de carboneto ao deslizar-la com a chave de caixa incluída.

CUIDADO

Tenha cuidado para não ferir as mãos.

2. Montagem da lâmina de carboneto

CUIDADO

Antes da montagem, limpe minuciosamente todas as aparas acumuladas na lâmina de carboneto.

- (1) Conforme mostrado no **Fig. 12**, levante a placa do conjunto (B) e introduza a nova lâmina de carboneto entre o bloco cortador e a placa do conjunto (B).
- (2) Conforme mostrado no **Fig. 13**, monte a nova lâmina de carboneto ao deslizar-la na placa do conjunto (B) para que a ponta da lâmina fique 1 mm saliente a partir da extremidade do bloco cortador.

MONTAGEM E DESMONTAGEM DA LÂMINA E AJUSTAMENTO DA ALTURA DA LÂMINA

1. Desmontagem da lâmina

- (1) Tal como indicado no **Fig. 15**, utilize a chave da caixa de acessórios para retirar os três parafusos utilizados para fixar a lâmina e retire o suporte da lâmina.
- (2) Tal como indicado no **Fig. 16**, deslize o da lâmina do cortador na direcção indicada pela seta, para desmontar a lâmina.

CUIDADO

Tenha cuidado para não magoar as mãos.

2. Montagem da lâmina

CUIDADO

Antes de montar, limpe bem toda moinha acumulada na lâmina.

- (1) Introduza uma parte torneada da placa do conjunto (A) encaixada na lâmina numa ranhura na parte plana do bloco cortador. (**Fig. 19, 22**)
Coloque a lâmina de modo a que ambos os lados da lâmina saiam da largura do bloco cortador em cerca de 1 mm. (**Fig. 23**)
- (2) Coloque o suporte da lâmina no conjunto concluído, tal como indicado no **Fig. 24**, e aperte-o com os três parafusos. Certifique-se de que os parafusos estão bem apertados.

(3) Vire o bloco cortador e coloque o lado oposto da mesma forma.

3. Ajuste da altura da lâmina

- (1) Desaperte os 2 parafusos que fixam a lâmina e a placa do conjunto (A).
- (2) Pressione a superfície torneada da placa do conjunto (A) para a superfície de parede b ao mesmo tempo que ajusta a extremidade da lâmina para a superfície de parede a do manómetro do conjunto. De seguida, aperte-as com os 2 parafusos. (Fig. 17, 25)

AFIAR AS LÂMINAS REAFIÁVEIS

É recomendada a utilização do acessório de afiação da lâmina por razões de conveniência.

1. Utilização do acessório de afiação da lâmina

Tal como indicado na Fig. 26, podem ser montadas duas lâminas no acessório de afiação da lâmina para garantir que as pontas das lâminas estejam assentes a níveis iguais. Durante a rectificação, ajuste a posição das lâminas de modo a que as extremidades entrem simultaneamente em contacto com a pedra de moer, conforme mostrado na Fig. 27.

2. Intervalos de afiação da lâmina

Os intervalos de afiação da lâmina dependem do tipo de madeira que está a ser cortado e a profundidade de corte. No entanto, a afiação deve normalmente ser efectuada após cada 500 metros de operação de corte.

3. Pedra de moer

Quando está disponível uma pedra de moer, use-a após a imergir suficientemente em água uma vez que uma pedra de moer pode ficar desgastada durante os trabalhos de rectificação, alise a superfície superior da pedra de moer conforme necessário.

INSTALAR E RETIRAR O ADAPTADOR PARA PÓ (ACESSÓRIO OPCIONAL)

CUIDADO

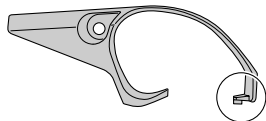
- Para evitar acidentes, certifique-se de que a ferramenta eléctrica está desligada e de que a ficha está desligada da fonte de alimentação.
- Siga o procedimento abaixo para montar o adaptador para pó. Caso contrário, o adaptador pode sair causando ferimentos.

1. Instalar o adaptador para pó

- (1) Remova os parafusos D4 x 16 na tampa de aparas e remova a tampa de aparas, conforme mostrado na Fig. 28.
- (2) Monte o adaptador para pó e fixe com os parafusos D4 x 16. (Fig. 29)

NOTA:

Tenha cuidado para não quebrar o engate quando colocar ou retirar o adaptador para pó ou a tampa de aparas.



2. Remover o adaptador para pó

Para remover o adaptador para pó, siga o procedimento acima pela ordem inversa.

MANUTENÇÃO E INSPECÇÃO

1. Inspeccionar as lâminas

A utilização continuada de lâminas rombas ou danificadas resultará numa eficiência de corte reduzida e poderá provocar uma sobrecarga do motor. Afie ou substitua as lâminas o mais frequentemente possível.

2. Manuseamento

CUIDADO

A base dianteira, a base traseira e o manípulo de controlo da profundidade estão maquinados para obter uma alta precisão. Se estas peças forem manuseadas sem cuidado ou sujeitas a um alto impacto mecânico, poderá causar uma precisão deteriorada e um desempenho de corte reduzido. Estas peças devem ser manuseadas com especial cuidado.

3. Inspeção dos parafusos de montagem

Inspeccione regularmente todos os parafusos de montagem e se certifique de que estão corretamente apertados. Se algum deles estiver frouxo, reaperte-o imediatamente. Caso isso não seja feito, pode resultar em perigo grave.

4. Inspeção das escovas de carvão (Fig. 30)

O motor emprega escovas de carvão que são peças de consumo. Como uma escova de carvão excessivamente desgastada pode provocar problemas no motor, troque-a por uma nova que tenha o mesmo número mostrado na ilustração. Além disso, mantenha as escovas de carvão sempre limpas e certifique-se de que elas deslizam livremente nos suportes de escova.

5. Substituir as escovas de carvão

Após remover a tampa de aparas, utilize uma chave de fendas para desmontar as tampas. As escovas de carvão podem, de seguida, ser removidas com a mola.

6. Manutenção do motor

A unidade de enrolamento do motor é o verdadeiro "coração" da ferramenta eléctrica. Cuide bem para assegurar que o enrolamento não se danifique e/ou se molhe com óleo ou água.

7. Substituição do cabo de alimentação

Caso seja necessário efectuar a substituição do cabo de alimentação, a mesma deverá ser realizada por à Oficina Autorizada da HiKOKI para evitar riscos de segurança.

8. Lista de peças para conserto

CUIDADO

Consertos, modificações e inspeção de Ferramentas Eléctricas da HiKOKI devem ser realizados por uma Oficina Autorizada da HiKOKI.

Esta lista de peças pode ser útil se apresentada com a ferramenta na Oficina Autorizada da HiKOKI ao solicitar conserto ou manutenção.

Na operação e na manutenção das ferramentas eléctricas, devem-se observar as normas de segurança e os padrões prescritos por cada país.

MODIFICAÇÃO

As Ferramentas Eléctricas da HiKOKI estão sempre sendo aperfeiçoadas e modificadas para incorporar os mais recentes avanços tecnológicos.

Dessa forma, algumas peças podem mudar sem aviso prévio.

GARANTIA

Garantimos que a HiKOKI Power Tools obedece às respectivas normas específicas estatutárias/de país. Esta garantia não cobre avarias ou danos derivados de má utilização, abuso ou desgaste normal. Em caso de queixa, envie a Ferramenta, não desmontada, juntamente com o CERTIFICADO DE GARANTIA que se encontra no fundo destas instruções de utilização, para um Centro de Serviço Autorizado HiKOKI.

NOTA

Devido ao contínuo programa de pesquisa e desenvolvimento da HiKOKI, as especificações aqui contidas estão sujeitas a mudanças sem aviso prévio.

Informação a respeito de ruídos e vibração do ar

Os valores medidos foram determinados de acordo com a EN60745 e declarados em conformidade com a ISO 4871.

Nível de potência sonora ponderada A medida: 94 dB (A)

Nível de pressão sonora ponderada A medida: 83 dB (A)

Imprecisão KpA: 3 dB (A)

Use proteção auditiva.

Os valores totais da vibração (soma do vector triax) são determinados de acordo com a norma EN60745.

Plainagem de madeira:

Valor de emissão de vibrações $a_h = 3,1 \text{ m/s}^2$

Incerteza K = $1,5 \text{ m/s}^2$

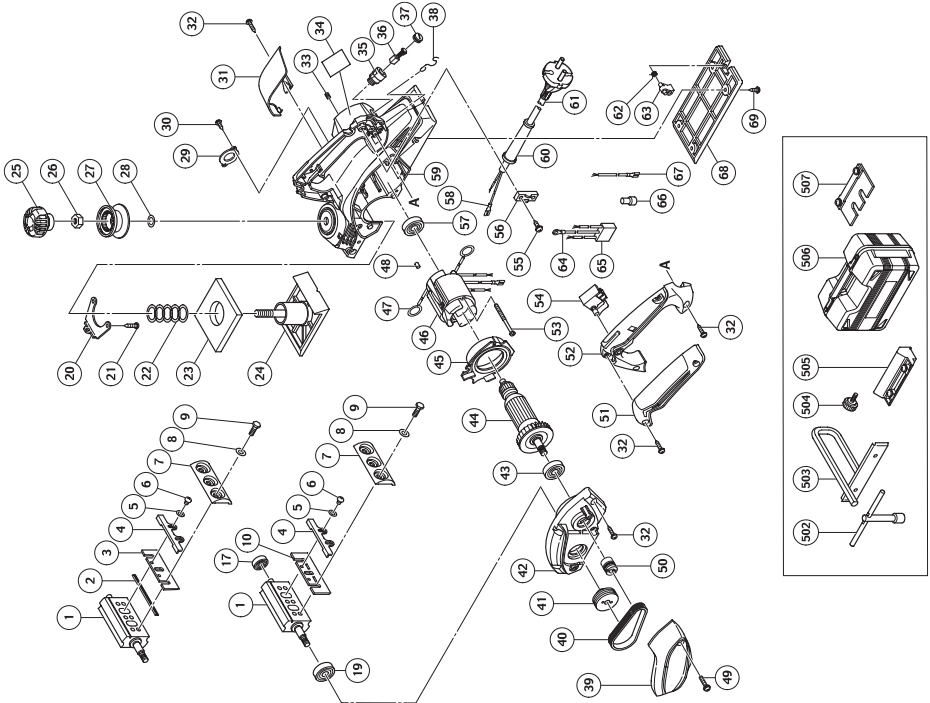
O valor total de vibração declarado foi medido de acordo com um método de teste padrão e pode ser utilizado para comparar ferramentas.

Pode também ser utilizado numa avaliação preliminar de exposição.

AVISO

- O valor de emissão de vibrações durante a utilização da ferramenta eléctrica pode ser diferente do valor total declarado, consoante as formas de utilização da ferramenta.
- Identificar as medidas de segurança para proteger o operador, que são baseadas numa estimativa de exposição nas actuais condições de utilização (tendo em conta todas as partes do ciclo de funcionamento, tais como os tempos em que a ferramenta é desligada e quando está a funcionar ao ralenti, além do tempo de accionamento do gatilho).

Item No.	Part Name	QTY	Item No.	Part Name	QTY
1	CUTTER BLOCK ASSY (W/B.B)	1	41	PULLY (B)	1
2	PLANNER BLADES (DOUBLE EDGE BLADE TYPE)	2	42	END BRACKET	1
3	SET PLATE (B)	2	43	BALL BEARING 6200VVCMPFS2L	1
4	SET PLATE (A)	2	44	ARMATURE	1
5	WASHER M4	4	45	FAN GUIDE	1
6	MACHINE SCREW M4x5	4	46	STATOR ASSY	1
7	BLADE HOLDER	2	47	BRUSH TERMINAL	2
8	WASHER	6	48	BEARING LOCK	1
9	BOLT	6	49	MACHINE SCREW (BLACK) M4x16	2
10	PLANNER BLADES 82MM (RESHARPENABLE BLADE TYPE)	2	50	PULLY (A)	1
17	BALL BEARING 608VVC2PS2L	1	51	GRIP COVER	1
19	BALL BEARING 6200VVCMPFS2L	1	52	HANDLE COVER	1
20	SCREW PLATE	1	53	HEX. HD. TAPPING SCREW D4x60	2
21	TAPPING SCREW D4x16	1	54	SWITCH (BRAKE)	1
22	SPRING	1	55	TAPPING SCREW (W/FLANGE) D4x16	2
23	RUBBER PACKING	1	56	CORD CLIP	1
24	FRONT BASE	1	57	BALL BEARING 608VVC2PS2L	1
25	KNOB (A)	1	58	FASTON	1
26	LOCK NUT M10	1	59	HOUSING ASSY	1
27	KNOB (B)	1	60	CORD ARMOR D8.8	1
28	WASHER (B)	1	61	CORD	1
29	BEARING COVER	1	62	SPRING	1
30	TAPPING SCREW (W/FLANGE) D4x12	2	63	STAND	1
31	TIP COVER	1	64	TERMINAL	1
32	TAPPING SCREW (W/FLANGE) D4x20	9	65	NOISE SUPPRESSOR	1
33	HEX. SOCKET SET SCREW M5x8	2	66	CONNECTOR	(12)
34	NAME PLATE	1	67	LEAD WIRE	1
35	BRUSH HOLDER	2	68	REAR BASE	1
36	CARBON BRUSH	2	69	TAPPING SCREW (W/FLANGE) D4x16	4
37	BRUSH CAP	2	502	BOX WRENCH 10MM	1
38	CORD HOLDER	1	503	GUIDE	1
39	BELT COVER	1	504	STOPPER SCREW M5x14	1
40	BELT	1	505	BLADE SHARPENING ASSY	1
			506	CASE	1
			507	SET GAUGE	1



<p>English</p> <p><u>GUARANTEE CERTIFICATE</u></p> <ol style="list-style-type: none"> ① Model No. ② Serial No. ③ Date of Purchase ④ Customer Name and Address ⑤ Dealer Name and Address (Please stamp dealer name and address) 	<p>Nederlands</p> <p><u>GARANTIEBEWIJS</u></p> <ol style="list-style-type: none"> ① Modelnummer ② Serienummer ③ Datum van aankoop ④ Naam en adres van de gebruiker ⑤ Naam en adres van de handelaar (Stempel a.u.b. naam en adres vande de handelaar)
<p>Deutsch</p> <p><u>GARANTIESCHEIN</u></p> <ol style="list-style-type: none"> ① Modell-Nr. ② Serien-Nr. ③ Kaufdatum ④ Name und Anschrift des Kunden ⑤ Name und Anschrift des Händlers (Bitte mit Namen und Anschrift des Handlers abstempeln) 	<p>Español</p> <p><u>CERTIFICADO DE GARANTIA</u></p> <ol style="list-style-type: none"> ① Número de modelo ② Número de serie ③ Fecha de adquisición ④ Nombre y dirección del cliente ⑤ Nombre y dirección del distribuidor (Se ruega poner el sello del distribuidor con su nombre y dirección)
<p>Français</p> <p><u>CERTIFICAT DE GARANTIE</u></p> <ol style="list-style-type: none"> ① No. de modèle ② No. de série ③ Date d'achat ④ Nom et adresse du client ⑤ Nom et adresse du revendeur (Cachet portant le nom et l'adresse du revendeur) 	<p>Português</p> <p><u>CERTIFICADO DE GARANTIA</u></p> <ol style="list-style-type: none"> ① Número do modelo ② Número do série ③ Data de compra ④ Nome e morada do cliente ⑤ Nome e morada do distribuidor (Por favor, carimbe o nome e morada do distribuidor)
<p>Italiano</p> <p><u>CERTIFICATO DI GARANZIA</u></p> <ol style="list-style-type: none"> ① Modello ② N° di serie ③ Data di acquisto ④ Nome e indirizzo dell'acquirente ⑤ Nome e indirizzo del rivenditore (Si prega di apporre il timbro con questi dati) 	



HIKOKI

①	
②	
③	
④	
⑤	



Hikoki Power Tools Deutschland GmbH

Siemensring 34, 47877 Willich, Germany
Tel: +49 2154 49930
Fax: +49 2154 499350
URL: <http://www.hikoki-powertools.de>

Hikoki Power Tools Netherlands B.V.

Brabanthaven 11, 3433 PJ Nieuwegein, The Netherlands
Tel: +31 30 6084040
Fax: +31 30 6067266
URL: <http://www.hikoki-powertools.nl>

Hikoki Power Tools (U.K.) Ltd.

Precedent Drive, Rooksley, Milton Keynes, MK 13, 8PJ,
United Kingdom
Tel: +44 1908 660663
Fax: +44 1908 606642
URL: <http://www.hikoki-powertools.uk>

Hikoki Power Tools France S.A.S.

Parc de l'Eglantier 22, rue des Cerisiers, Lisses-C.E. 1541,
91015 EVRY CEDEX, France
Tel: +33 1 69474949
Fax: +33 1 60861416
URL: <http://www.hikoki-powertools.fr>

Hikoki Power Tools Belgium N.V./S.A.

Koningin Astridlaan 51, B-1780 Wommel, Belgium
Tel: +32 2 460 1720
Fax: +32 2 460 2542
URL: <http://www.hikoki-powertools.be>

Hikoki Power Tools Italia S.p.A



Via Piave 35, 36077, Altavilla Vicentina (VI), Italy
Tel: +39 0444 548111
Fax: +39 0444 548110
URL: <http://www.hikoki-powertools.it>

Hikoki Power Tools Ibérica, S.A.

C/ Puigbarral, 26-28, Pol. Ind. Can Petit, 08227 Terrassa
(Barcelona), Spain
Tel: +34 93 735 6722
Fax: +34 93 735 7442
URL: <http://www.hikoki-powertools.es>

Hikoki Power Tools Österreich GmbH

IndustrieZentrum NÖ –Süd, Straße 7, Obj. 58/A6 2355
Wiener Neudorf, Austria
Tel: +43 2236 64673/5
Fax: +43 2236 63373
URL: <http://www.hikoki-powertools.at>

<p>English</p> <p>EC DECLARATION OF CONFORMITY</p> <p>We declare under our sole responsibility that Planer, identified by type and specific identification code *1), is in conformity with all relevant requirements of the directives *2) and standards *3). Technical file at *4) – See below.</p> <p>The European Standard Manager at the representative office in Europe is authorized to compile the technical file.</p> <p>The declaration is applicable to the product affixed CE marking.</p>	<p>Nederlands</p> <p>EC VERKLARING VAN CONFORMITEIT</p> <p>Wij verklaren onder onze eigen verantwoordelijkheid dat Schaafmachine, geïdentificeerd door het type en de specifieke identificatiecode*1), voldoet aan alle relevante bepalingen van de richtlijnen*2) en normen*3). Technische documentatie bij*4) – zie onder.</p> <p>De Europese Normen Manager bij de vertegenwoordiging in Europa is gemachtigd om het technisch dossier samen te stellen.</p> <p>Deze verklaring is van toepassing op producten voorzien van de CE-markeringen.</p>
<p>Deutsch</p> <p>EG-KONFORMITÄTSERKLÄRUNG</p> <p>Wir erklären in alleiniger Verantwortung, dass der durch den Typ und den spezifischen Identifizierungscode *1) identifizierte Hobel allen einschlägigen Bestimmungen der Richtlinien *2) und Normen *3) entspricht. Technische Unterlagen unter *4) – Siehe unten.</p> <p>Die Leitung der repräsentativen Behörde für europäische Normen und Richtlinien ist berechtigt, die technischen Unterlagen zusammenzustellen.</p> <p>Die Erklärung gilt für die an dem Produkt angebrachte CE-Kennzeichnung.</p>	<p>Español</p> <p>DECLARACIÓN DE CONFORMIDAD DE LA CE</p> <p>Declaramos bajo nuestra única responsabilidad que el Cepillo, identificado por tipo y por código de identificación específico *1), está en conformidad con todas las disposiciones correspondientes de las directivas *2) y de las normas *3). Documentación técnica en *4) – Ver a continuación.</p> <p>El Director de Normas Europeas en la oficina de representación en Europa está autorizado para elaborar el expediente técnico.</p> <p>La declaración se aplica al producto con marcas de la CE.</p>
<p>Français</p> <p>DECLARATION DE CONFORMITE CE</p> <p>Nous déclarons sous notre entière responsabilité que le rabot, identifié par le type et le code d'identification spécifique *1) est en conformité avec toutes les exigences applicables des directives *2) et des normes *3). Dossier technique en *4) – Voir ci-dessous.</p> <p>Le Gestionnaire des normes européennes du bureau de représentation en Europe est autorisé à constituer le dossier technique.</p> <p>Cette déclaration s'applique aux produits désignés CE.</p>	<p>Português</p> <p>DECLARAÇÃO DE CONFORMIDADE CE</p> <p>Declaramos, sob nossa única e inteira responsabilidade, que Plaina, identificada por tipo e código de identificação específico *1), está em conformidade com todos os requerimentos relevantes das diretivas *2) e normas *3). Ficheiro técnico em *4) – Consulte abaixo.</p> <p>O Gestor de Normas Europeias no escritório de representação na Europa está autorizado a compilar o ficheiro técnico.</p> <p>A declaração aplica-se aos produtos com marca CE.</p>
<p>Italiano</p> <p>DICHIARAZIONE DI CONFORMITÀ CE</p> <p>Dichiariamo sotto la nostra esclusiva responsabilità che la pialla, identificata dal tipo e dal codice identificativo specifico *1), è conforme a tutti i requisiti delle direttive *2) e degli standard *3). Documentazione tecnica presso *4) – Vedere sotto.</p> <p>Il gestore delle norme europee presso l'ufficio di rappresentanza in Europa è autorizzato a compilare il fascicolo tecnico.</p> <p>La dichiarazione è applicabile ai prodotti cui sono applicati i marchi CE.</p>	
<p>*1) P20SF C344399R C344400M</p> <p>*2) 2006/42/EC, 2014/30/EU, 2011/65/EU</p> <p>*3) EN60745-1:2009+A11:2010 EN60745-2-14:2009+A2:2010 EN55014-1:2006+A1:2009+A2:2011 EN55014-2:1997+A1:2001+A2:2008 EN61000-3-2:2014 EN61000-3-3:2013</p>	
<p>*4) Representative office in Europe Hikoki Power Tools Deutschland GmbH Siemensring 34, 47877 Willich, Germany</p> <p>Head office in Japan Koki Holdings Co., Ltd. Shinagawa Intercity Tower A, 15-1, Konan 2-chome, Minato-ku, Tokyo, Japan</p> <p style="text-align: right;">29. 6. 2018 Naoto Yamashiro European Standard Manager</p> <div style="display: flex; justify-content: space-between; align-items: center;">  <div style="text-align: right;"> <p>29. 6. 2018</p>  <p>A. Nakagawa Corporate Officer</p> </div> </div>	

Koki Holdings Co., Ltd.